



EZ-Grow Professional Greenhouse Bench



*Photo may be of a different but similar model.
(Bench shown includes the expanded metal top; additional purchase is required for some models.)*

©2020 GrowSpan™
All Rights Reserved. Reproduction
is prohibited without permission.

 **WARNING:** Cancer and Reproductive Toxicity - P65Warnings.ca.gov

Revision date: 08.12.20

STK#	DESCRIPTION
103700	2' Wide x 8' Long
103701	4' Wide x 8' Long
103702	6' Wide x 8' Long



READ THIS DOCUMENT BEFORE YOU BEGIN.

Thank you for purchasing this EZ-Grow Professional Greenhouse bench. When properly assembled and maintained, this product will provide years of reliable service. These instructions include helpful hints and important information needed to safely assemble and properly maintain the bench. Please read these instructions **before** you begin.

SAFETY PRECAUTIONS

- Wear eye and head protection.
- Wear gloves when handling metal rails.
- Use a portable GFCI (Ground Fault Circuit Interrupter) when working with power tools and cords.
- Never climb on the bench or bench frame.

REQUIRED TOOLS

The following list identifies the main tools needed for assembly. *For easier assembly, an assistant is needed.*

- Tape measure
- Marker to mark locations during assembly
- Variable speed drill and impact driver (cordless with extra batteries works best)
- 5/16" hex driver bit similar to that shown below. Install the hex driver bit into the chuck of drill/driver for easier Tek screw installation.



CARE AND MAINTENANCE

- Periodically check all connections, brackets, and fasteners to ensure they remain tight and in good condition; replace and/or repair missing or damaged parts immediately.
- Clean the bench using water and mild soap. Rinse with water.
- Inspect bench and all components thoroughly before reuse if it is disassembled and reassembled.
- Never climb or stand on the bench or its frame.
- EZ-Grow Professional Greenhouse benches do not have any tested loading criteria. Use common sense and never overload the bench.

UNPACK AND IDENTIFY PARTS

The following steps will help ensure that you have all the necessary parts before you begin.

1. Unpack the contents of the shipment and place where you can easily inventory the parts. Refer to the Bill of Materials/Spec Sheets.
2. Verify that all parts listed on the Bill of Materials/Spec Sheets are present. If anything is missing or you have questions, consult all diagrams for clarification, or contact Customer Service.

PARTS LIST (See list packed with your kit.)

- 2 Extruded Aluminum Side Rails with mitered ends—Long (8')
- 2 Extruded Aluminum End Rails (2', 4', or 6' depending on model) with mitered ends
- 4 Steel Legs with Attached Feet
- 4 Galvanized Steel Cross Support Tubes
- 4 Galvanized Split "T" Clamps (includes nuts and bolts)
- 4 Corner Brackets
- 16 Galvanized Band Clamps (includes nuts and bolts)
- 4 Straight Aluminum Diagonal Braces
- 4 Twisted Aluminum Diagonal Braces
- 1 Package of Tek Screws (self-drilling and self-tapping)
- 1 Expanded Metal Top* (included with bench kits only)

*Additional purchase required for top when only the bench was purchased.

BENCH ASSEMBLY

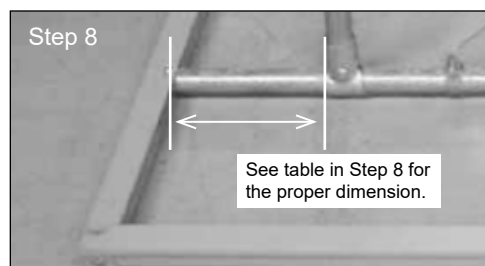
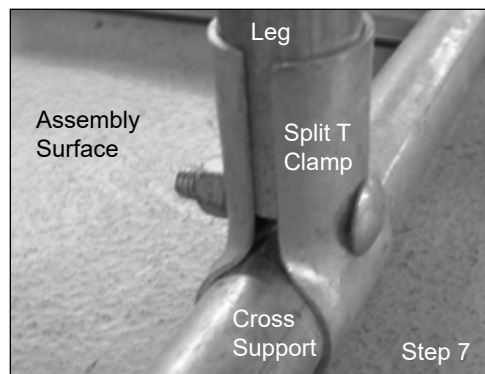
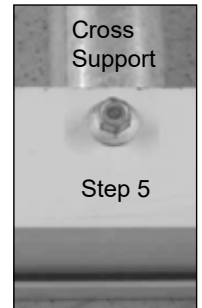
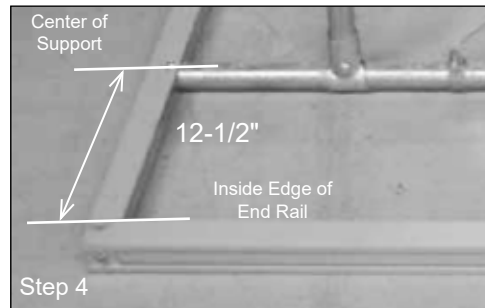
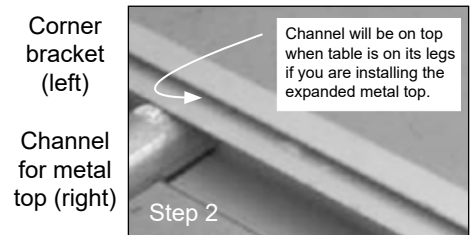
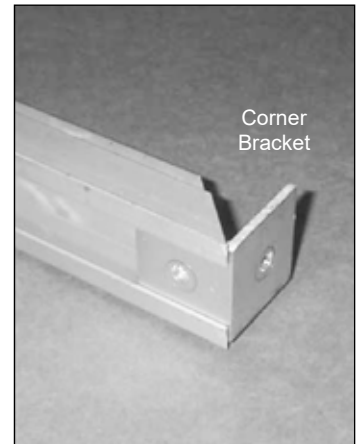
1. Take one short rail for the end and two long side rails and connect them using two corner brackets and Tek screws. Lightly tap the brackets into place if needed. *Verify that you have aligned the narrow channel in each rail.*
2. Once the three rails are attached, place the U-shaped assembly on a flat surface.

NOTE: If you are installing the expanded metal top, position the narrow channel *down* against the assembly surface so that it will be on top when the bench is on its legs. If you are installing a customer-supplied top such as plywood, PolyMax® sheet, or other material, position the small channel up away from the assembly surface so that it is on the underside of the frame when the bench is standing on its feet.

3. Slide two (2) band clamps onto each of the four (4) cross support tubes.
4. Slide the first cross support tube into the channel of the side rails. Measure 12-1/2" from the inside edge of the end rail and center the support tube on the marks.
5. Verify that the cross support tube is square in the frame and secure each end using a Tek screw.
6. Install the remaining cross supports so they are 24" on-center from each other. Once the supports are square in the frame, secure each end of each support using a Tek screw. (See photo in Step 11.)
7. Next, slide two (2) band clamps onto each leg tube. Attach two (2) legs to the cross support tube at each end of the frame using one (1) split "T" clamp per leg.
8. Position the legs from the side rails using the distances given in the table below:

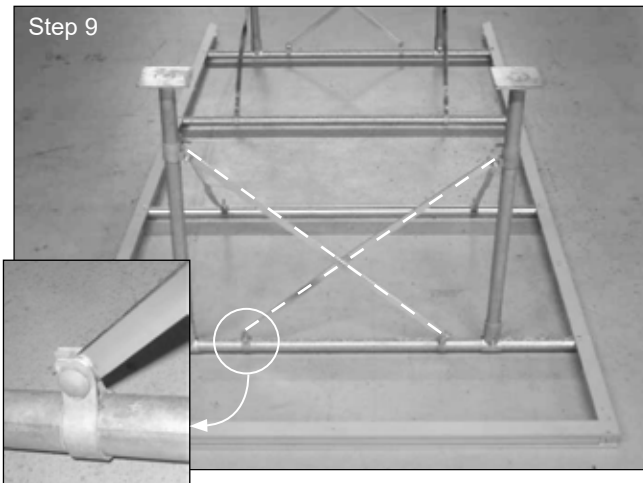
Table Width	Inset leg from side
2'	1"
4'	9"
6'	12"

NOTE: Take the measurement from the inside edge of the side rails to accurately position each bench leg.

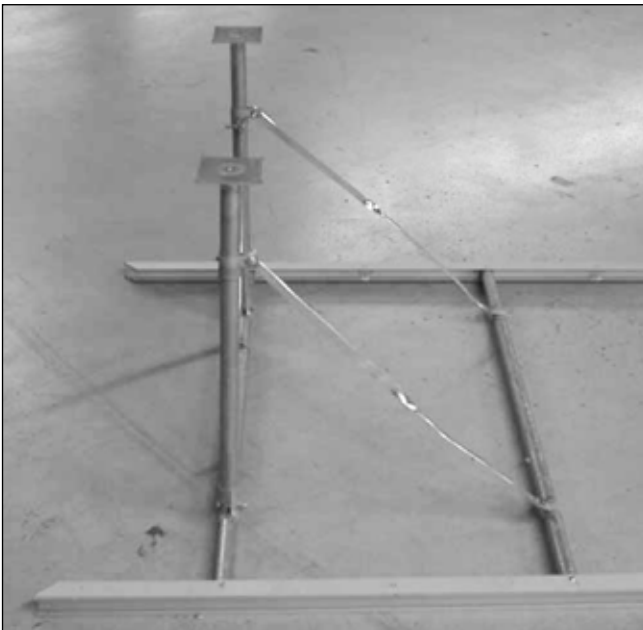


GREENHOUSE BENCHES

9. Attach an *untwisted/flat* diagonal brace from each leg to the cross support using the previously installed band clamps. See the dashed lines in the photo below.

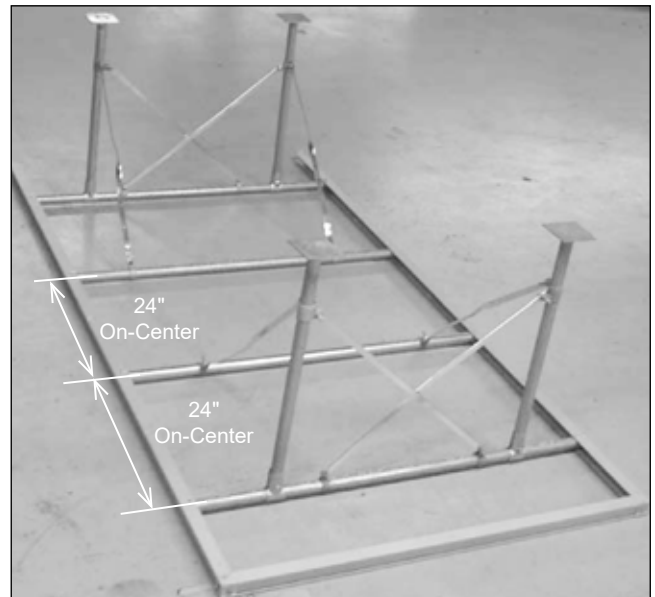


10. Attach a *twisted* diagonal brace from each leg to the neighboring cross support. Attach the braces using the previously installed band clamps.



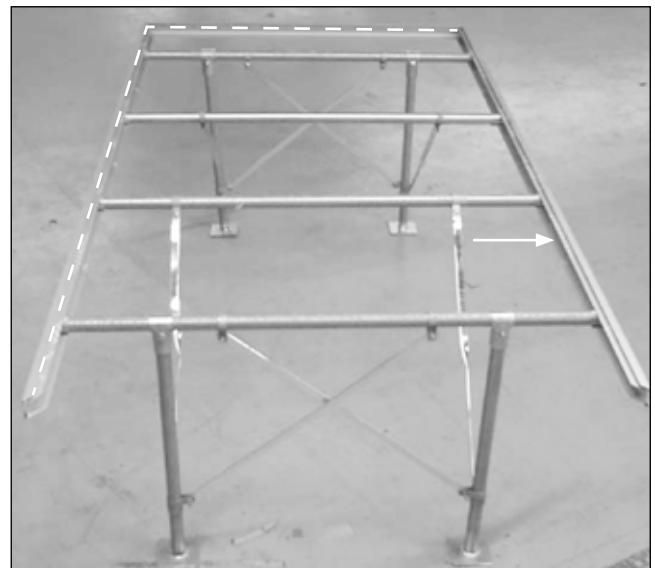
NOTE: Adjust the band clamp positions as needed to align and install the diagonal braces.

11. Repeat the steps as needed to install the remaining legs and diagonal braces. Photo below shows the cross support tubes spaced at 24" on-center.



12. Once all legs and braces are installed, verify that the legs are plumb and that all fasteners are tight. Adjust the braces and band clamps as needed.

13. Carefully turn the assembled bench onto its feet.



NOTE: The example shown in the above photo has been assembled to accept the expanded metal top. The small channel in the side and end rails is identified by the arrow and dashed line.

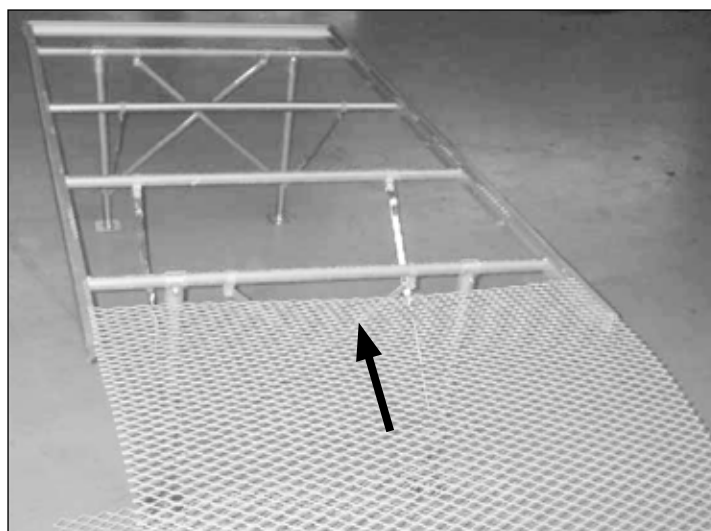
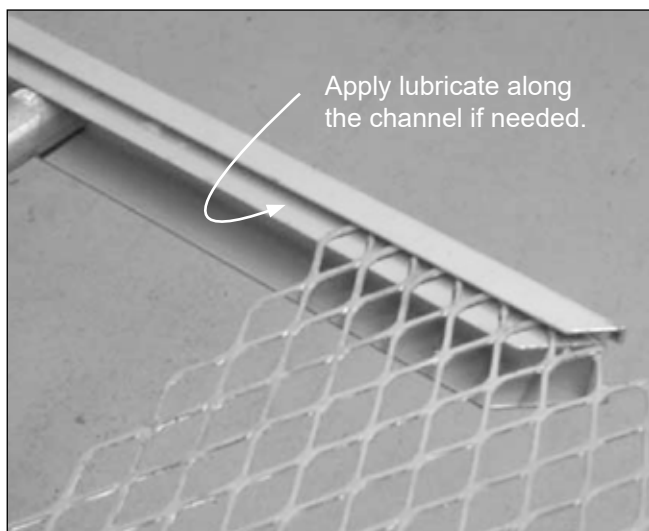
14. Continue by installing the bench top as described in the next procedure.

INSTALLING THE BENCH TOP

If your bench includes the expanded metal top, continue with the steps that follow. If you are installing a top other than the expanded metal top shown below, repeat Steps 1 & 2 of the previous procedure to install the remaining end rail and then attach the customer-supplied top. Continue with these steps to install the expanded metal top (additional purchase required for some models):

1. Lubricate the narrow channel of the frame to allow the expanded metal top to install more easily. A silicone spray or similar lubricate works well.
2. Insert one end of the top into the narrow channel that runs along each side rail.

NOTE: Use heavy leather gloves to protect your hands during the installation of the top. Assistance is recommended for easier installation.



3. Position a person at each side of the frame and a third person at the free end of expanded metal.
4. Carefully work the metal top through the frame while supporting the material between the side rails and at each end.
5. Once the top is installed and properly seated in the frame channel, attach the remaining end rail to the frame using the corner brackets and Tek screws. Consult Steps 1 & 2 of the previous procedure if needed to properly install the rail.