



PolyMax® Bench Systems



SKU#	DIMENSIONS
108293	4' W x 8' L (Top only)
108293S	4' W x 8' L x 30" H

All Rights Reserved. Reproduction is prohibited without permission.

Revision date: 11.25.16



READ THIS DOCUMENT BEFORE YOU BEGIN TO ASSEMBLE THE BENCH.

Thank you for purchasing this PolyMax® Bench System. When properly assembled and maintained, this product will provide years of reliable service. These instructions include helpful hints and important information needed to safely assemble and properly maintain the product. Please read these instructions **before** you begin.

If you have any questions during the assembly, contact Customer Service at 1-800-245-9881 for assistance.

SAFETY PRECAUTIONS

- Wear eye protection.
- Wear gloves when handling metal tubes.
- Use a portable GFCI (Ground Fault Circuit Interrupter) when working with power tools and cords.

ASSEMBLY PROCEDURE

Following the instructions as presented will help ensure the proper assembly of your bench.

The steps outlining the assembly process are as follows:

1. Verify that all parts are included in the shipment. Notify Customer Service for questions or concerns.
2. Read these instructions and all additional documentation included with the shipment **before** you begin.
3. Gather the tools and assistants needed to assemble the product.
4. Assemble the components in the order they are presented in these instructions.
5. Assemble the frame.
6. Install and secure the PolyMax®.
7. Read the care and maintenance information.
8. Complete and return all warranty information as instructed.

REQUIRED TOOLS

The following list identifies the main tools needed to assemble the feed bunk. Additional tools may be needed.

- Tape measure or measuring device
- Marker
- Variable speed drill and impact driver (cordless with extra batteries works best)
- Hammers, gloves, and eye protection

UNPACK AND IDENTIFY PARTS

The following steps will ensure that you have all the necessary parts **before** you begin to assemble the bench.

1. Unpack the contents of the shipment and place where you can easily inventory the parts. Refer to the Bill of Materials/Spec Sheets and this assembly guide.
2. Verify that all parts listed on the Bill of Materials/Spec Sheets are present. If anything is missing or you have questions, consult the Pictorial Parts Guide and all diagrams throughout these instructions for clarification, or contact Customer Service.

NOTE: At this time, you do not need to open the plastic bags containing the fasteners (if used).

CARE AND MAINTENANCE

Proper care and maintenance of your bench is important. Check the following items periodically to properly maintain your bench.

- Check connections and all fasteners to verify that they remain tight.
- Do not climb or stand on the bench at anytime.
- Replace all worn or damaged parts promptly.
- If the bench is moved, inspect all parts and connections before reassembling and use.
- For replacement or missing parts, call 1.800.245.9881 for assistance.

FarmTek®

The following graphics and photos will help you identify the different parts of the bench.

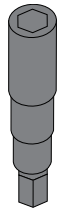


Square Tube

SKU#	Cut Length	Quantity
S15P044	1.5" x 1.5" x 44"	2
104779	1.5" x 1.5" x 96"	2
S15P092	1.5" x 1.5" x 92"	1
S20P028 (108293S only)	2" x 2" x 28"	4



FA4482B
Tek Screw



100441
Nut Setter



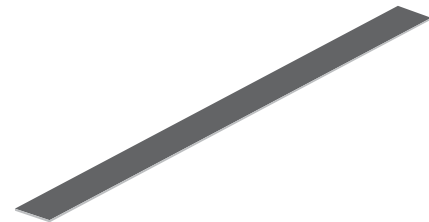
104625
2-Way
Tube Fitting



104624
One-Way W/Plate
(108293S only)

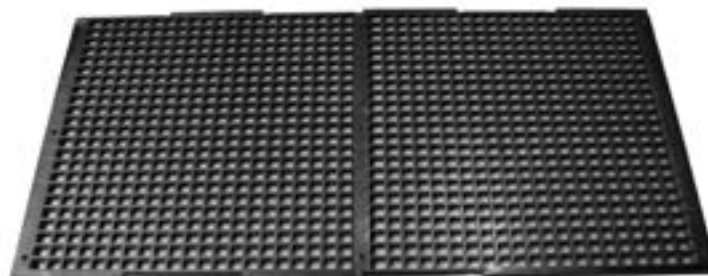


104626
3-Way
Tube Fitting



Aluminum Strap
(108293S only)

SKU#	Cut Length	Quantity
112480Z29	1" x 29"	4
112480Z53	1" x 53"	4



HA2217
PolyMax® Bench
Top (4)

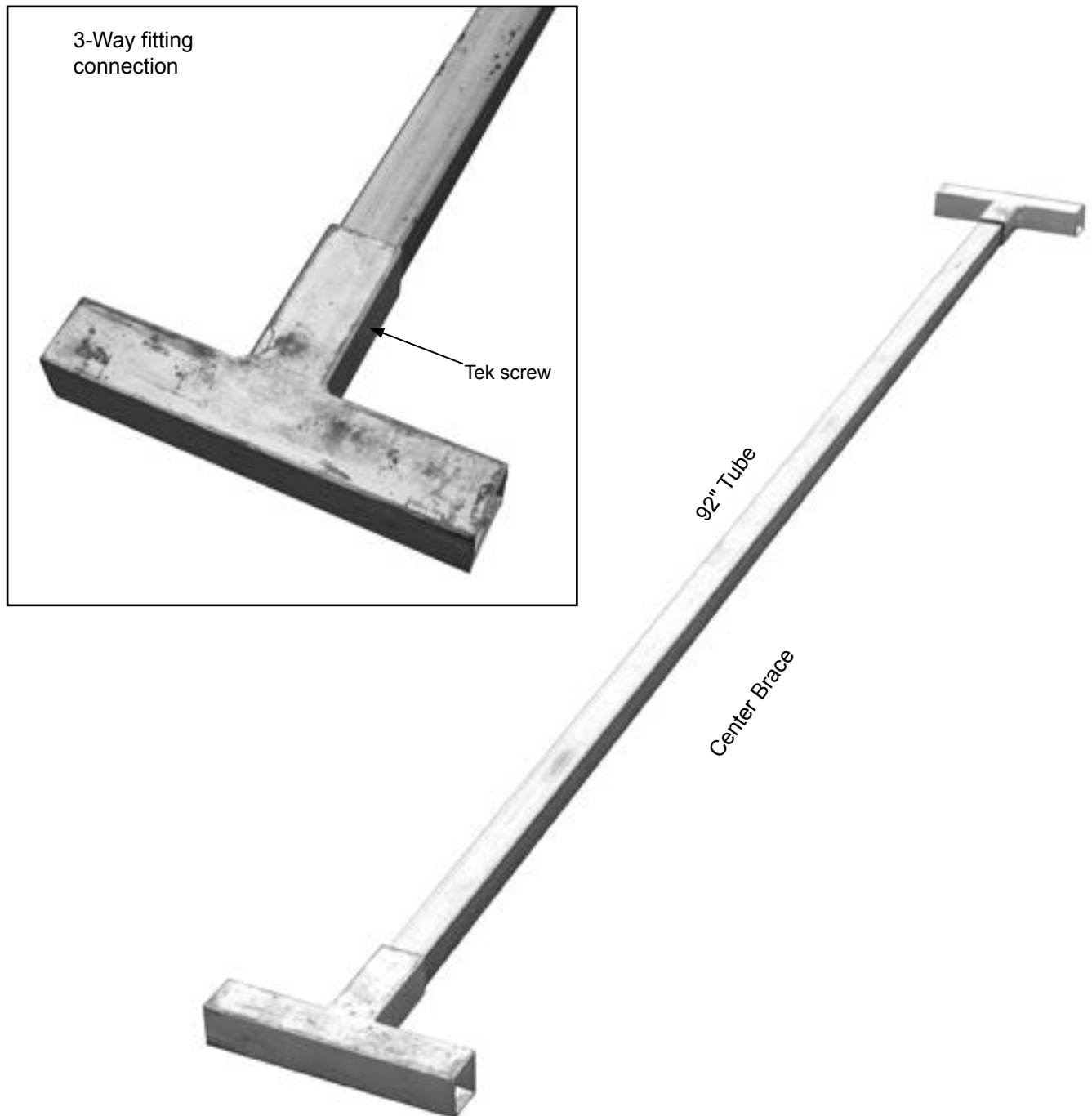
GREENHOUSE BENCH KITS

1

Before assembling the bench, layout and measure the 1.5" x 1.5" square tube lengths to verify that you have all the correct tubes.

Gather two (2) 3-Way fittings and one (1) 92" length of square tube. Assemble the center brace as shown below using a Tek screw on the side of the fitting.

NOTE: Leave one 3-Way fitting loose for now, to adjust the length of the center brace when assembling the frame.



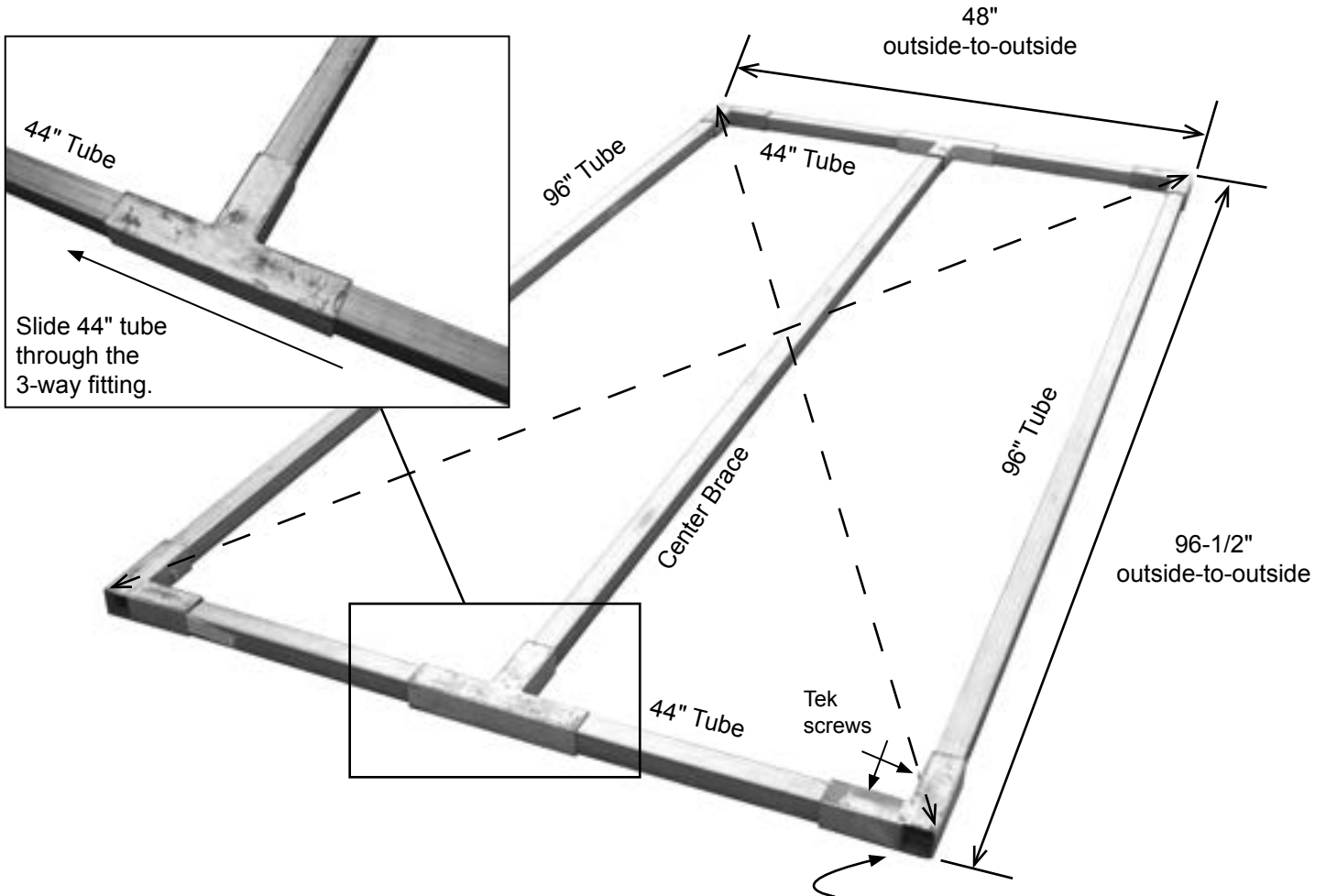
2

Gather two (2) 96" tubes, two (2) 44" tubes, four (4) 2-way corner fittings, and the assembled center brace from Step 1.

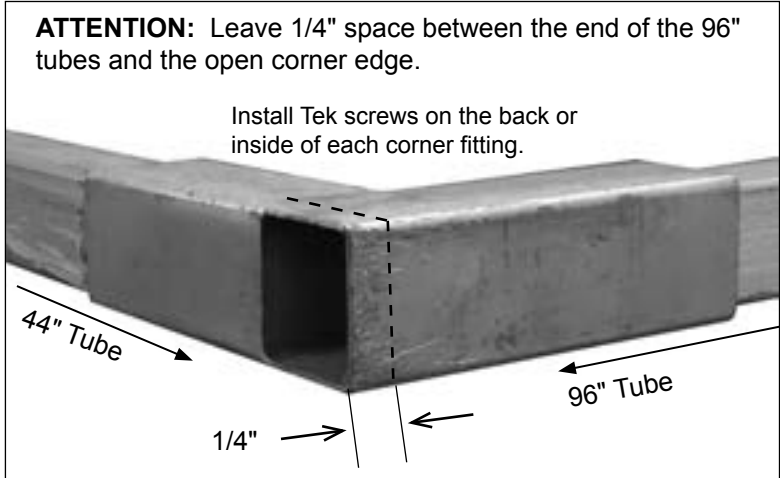
Slide the 44" tubes through the 3-way fittings first, and then assemble as shown below.

Set the outside-to-outside dimensions and measure diagonally to verify that the frame is square. (See dashed lines below.) Frame is square when both diagonal measurements are the same.

After squaring the frame and setting the outside-to-outside dimensions, secure each corner connection using Tek screws. Position Tek screws on the inside of the frame—two at each corner fitting.



Outside-to-Outside Dimensions
 WIDTH: 48"
 LENGTH: 96-1/2"



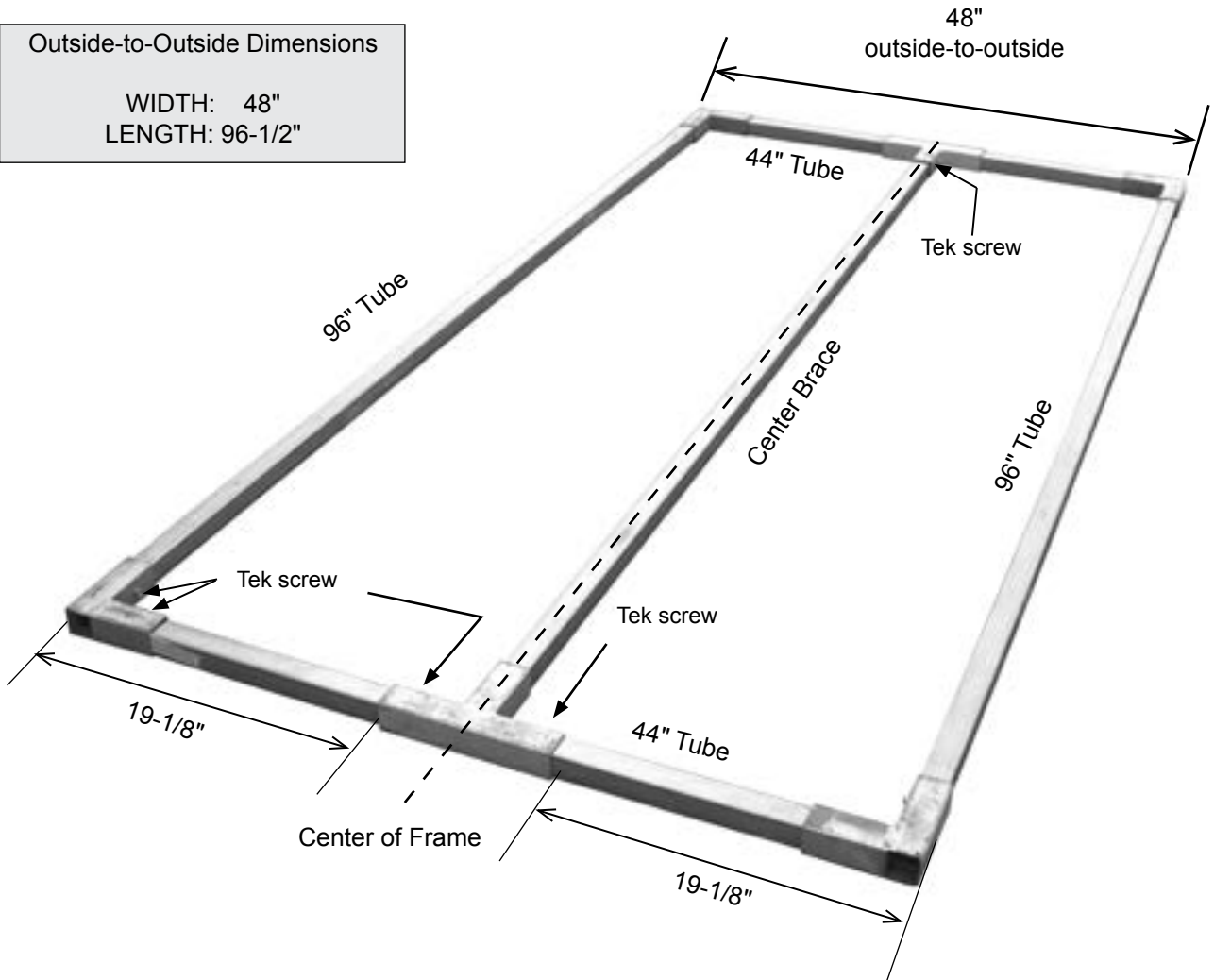
IMPORTANT: The 96" tubes will span the entire length of the bench. Verify that the open ends of the 2-way corner fittings are positioned to accommodate the whole tube. See diagram to the right.

3

After securing the 2-way fittings at each corner, center the center brace on the frame. Measure 19-1/8" from each corner to verify the correct placement.

Secure the center brace using Tek screws positioned on the inside of the fitting. If you have not already done so, attach the loose end of the main center brace tube using a Tek screw on the side of the 3-way fitting.

Outside-to-Outside Dimensions
WIDTH: 48"
LENGTH: 96-1/2"



4

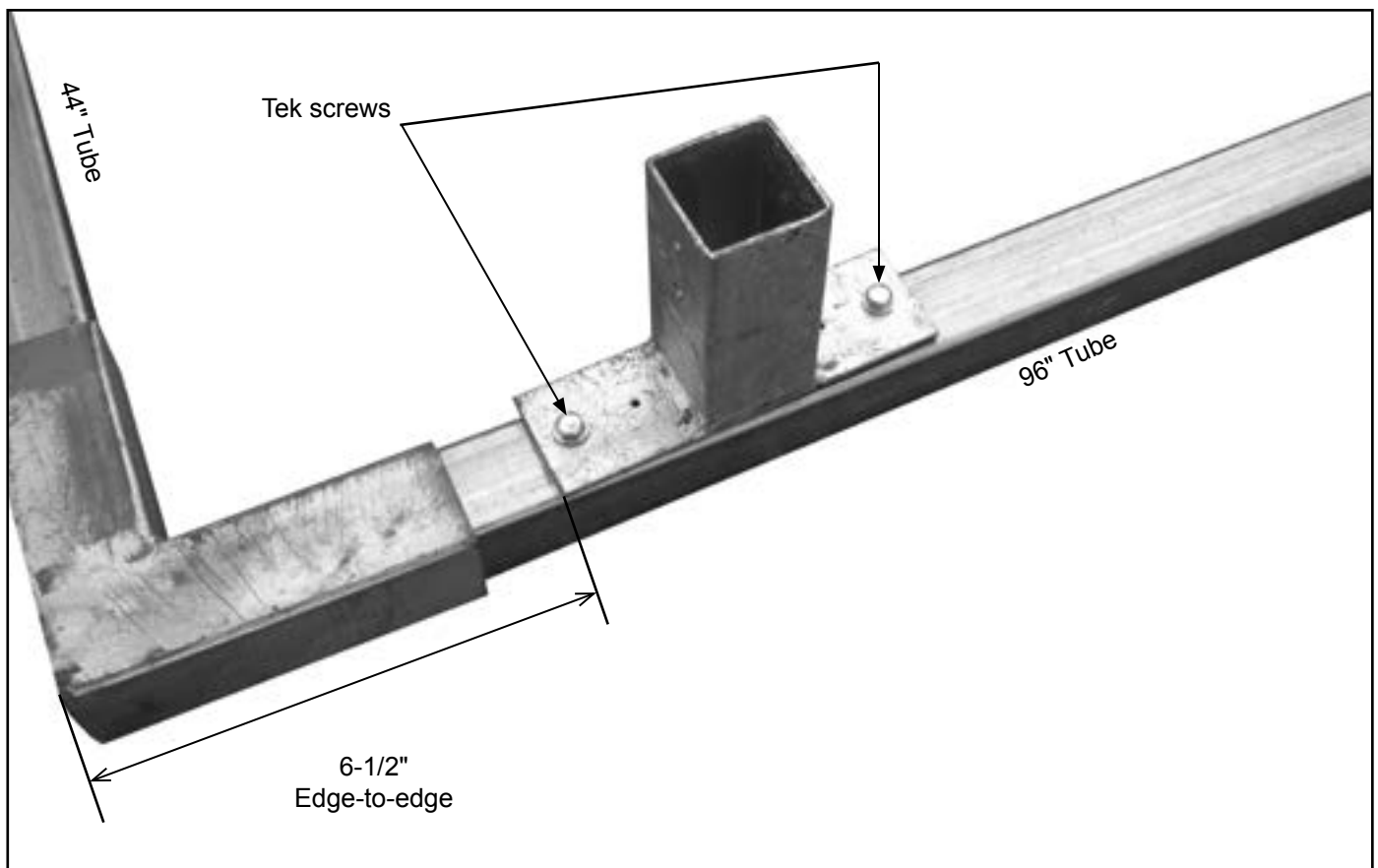
ATTENTION: *The following steps explain the assembly of the legs of the complete Bench System (#108293S). If you have not ordered the complete Bench System and have only the 108293 bench top, continue with Step 8.*

Gather four (4) one-way plates (104624).

Measure and mark a line 6-1/2" from each corner edge *on the 96" tubes*.

Position the edge of a one-way plate on this line and attach to the 96" tube using Tek screws on each side of the plate.

Repeat for the remaining corners.

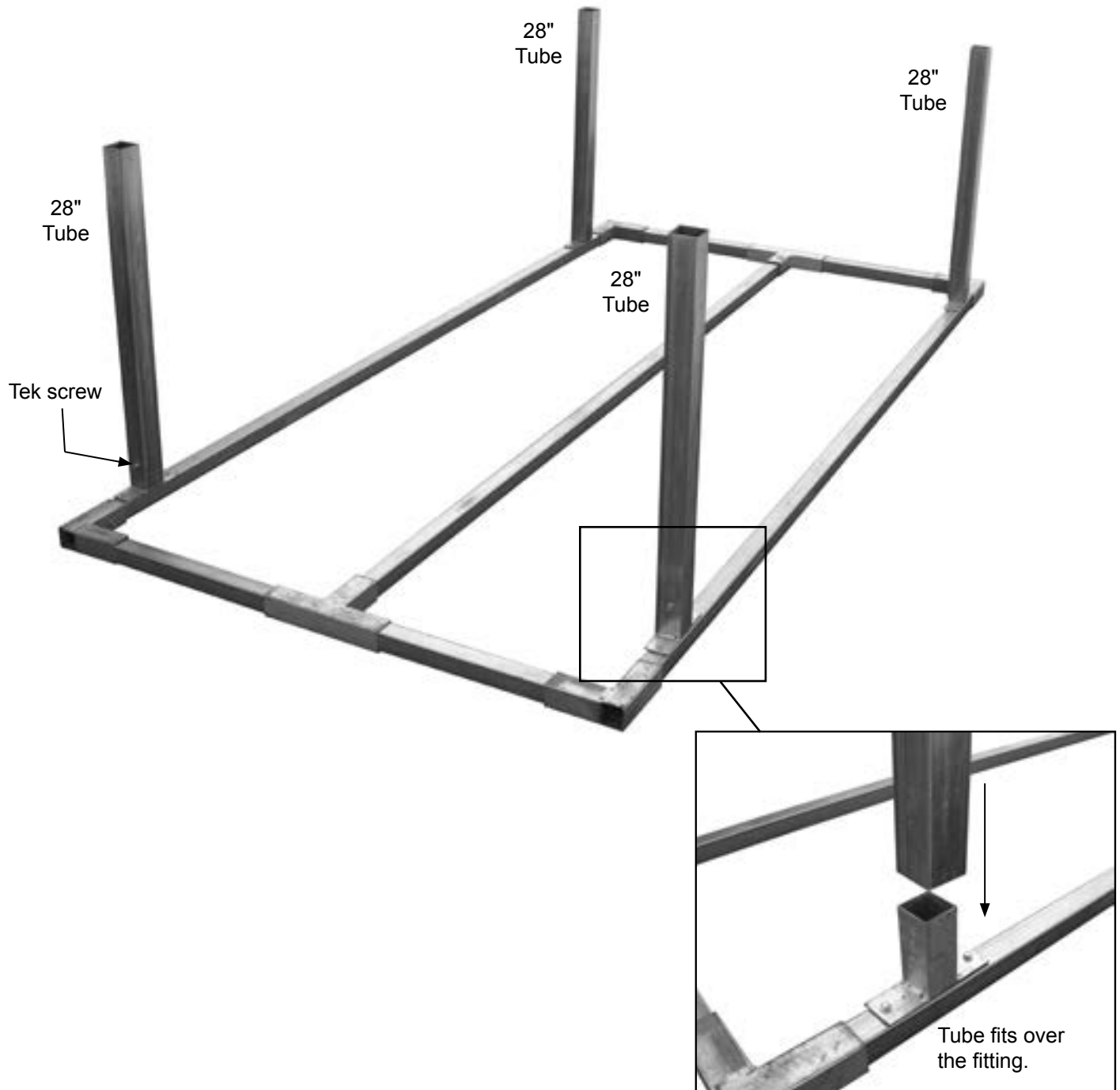


GREENHOUSE BENCH KITS

5

Gather four (4) 28" lengths of 2" x 2" tube.

Slide a 28" tube over each one-way plate and secure as shown below using one Tek screw per leg.

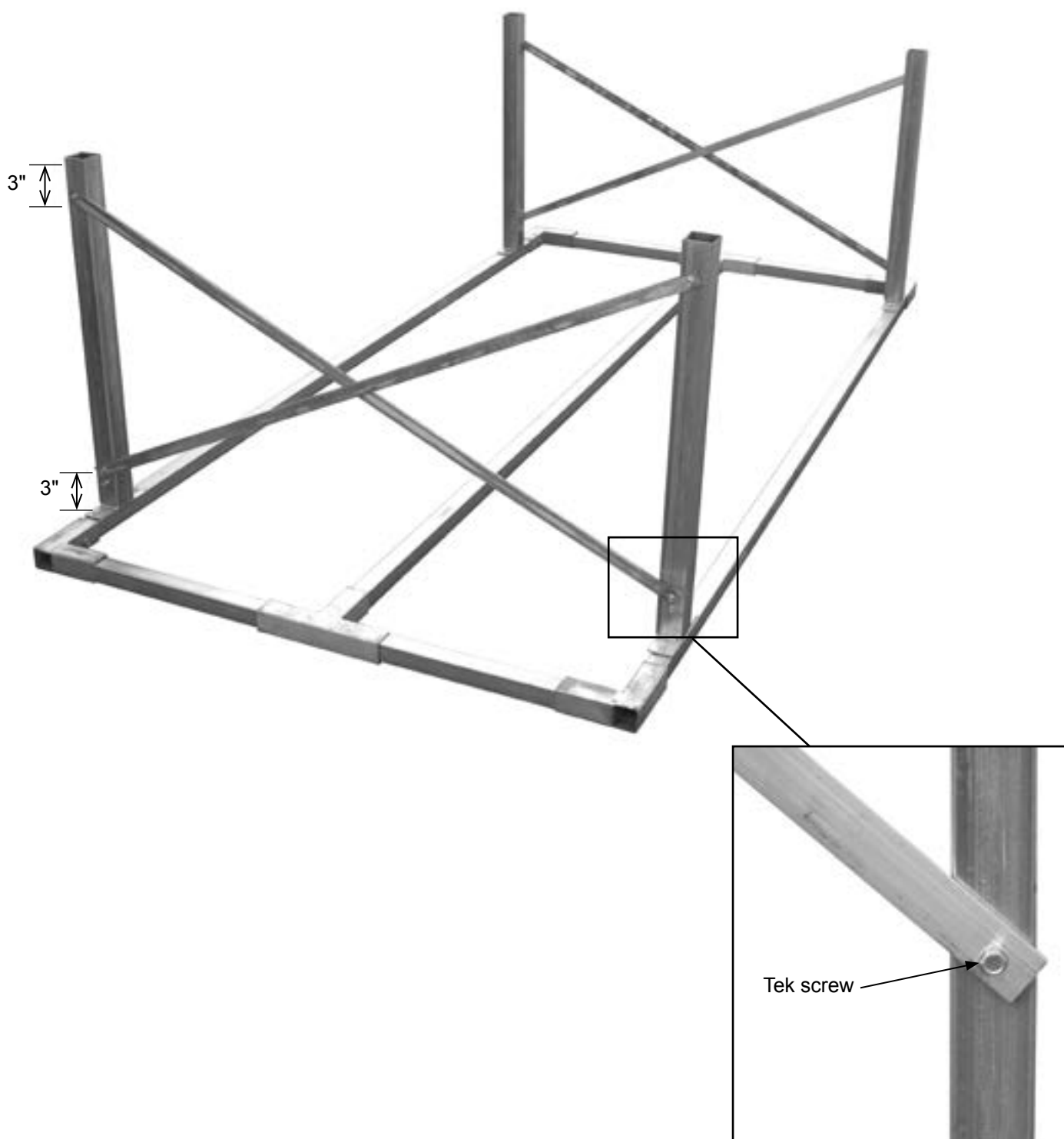


6

Gather four (4) 53" lengths of aluminum strap (112480Z53).

Measure 3" from each end of each leg. At these points, secure the aluminum straps to the legs as shown below using Tek screws.

ATTENTION: Verify that the legs are straight before attaching the aluminum straps.



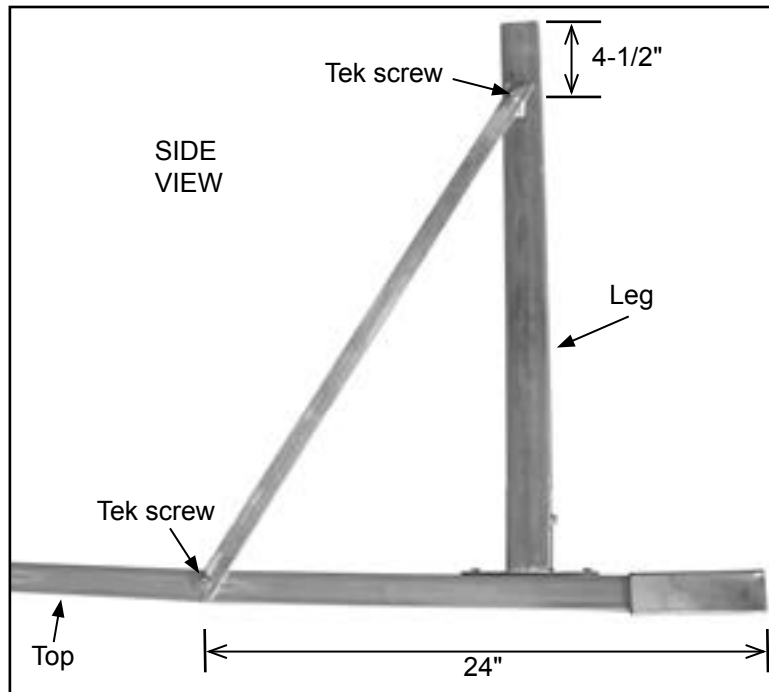
GREENHOUSE BENCH KITS

7

Gather four (4) 29" lengths of aluminum strap (112480Z29).

Secure a strap to each corner as shown below using Tek screws.

After the aluminum straps are secured, carefully (and with assistance) flip the assembled frame onto its legs.



COMPLETED
BENCH
FRAME



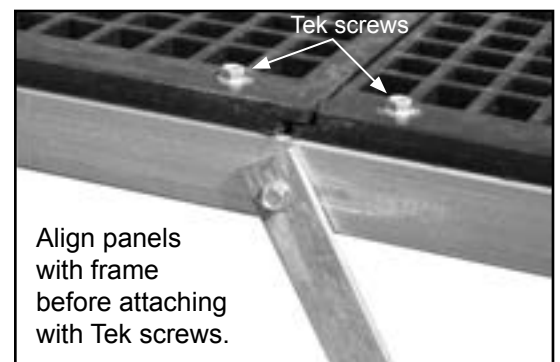
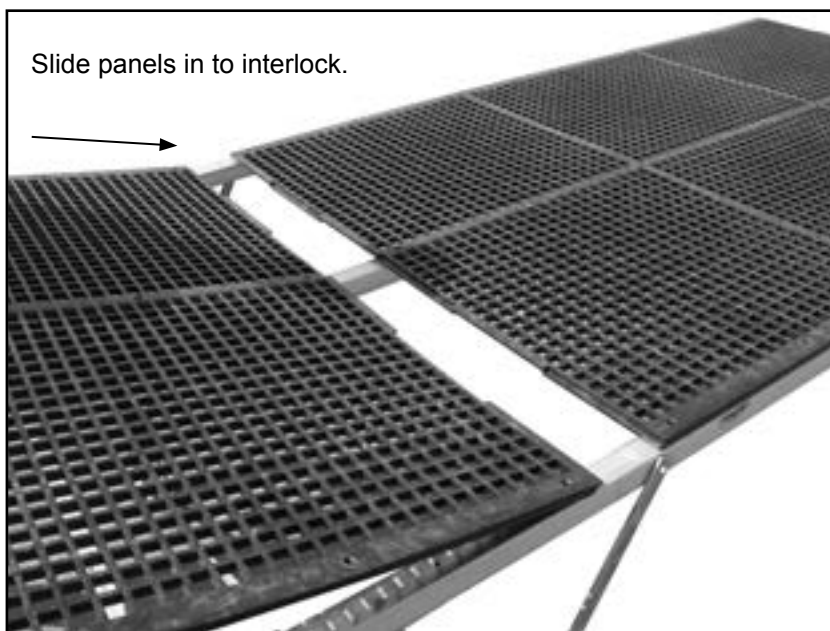
8

ATTENTION: The 108293 Bench Top does not include legs as shown below. Legs, bracing, and fittings are included with the 108293S Bench System only. Installation of the PolyMax® panels is the same for both.

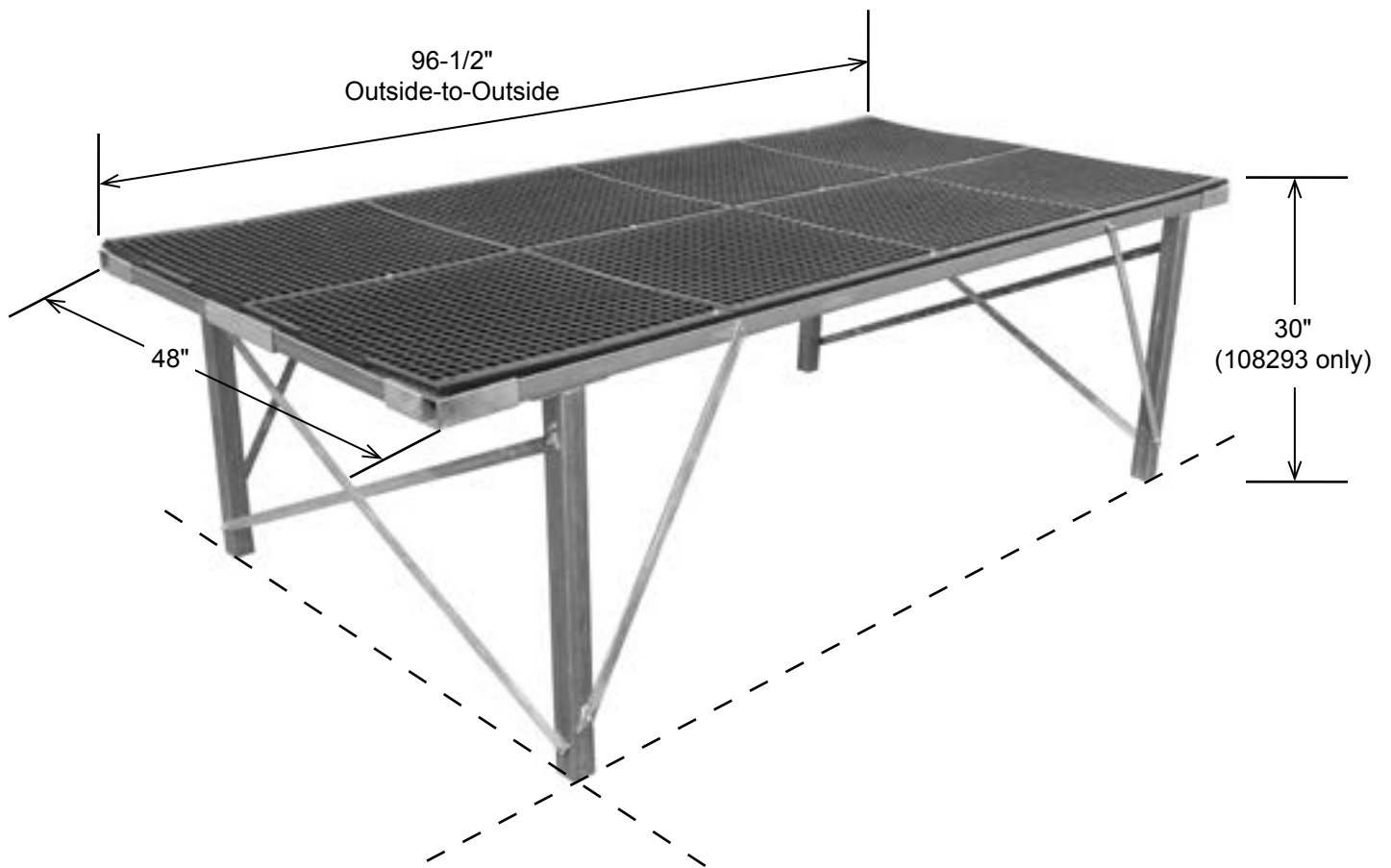
Gather four (4) PolyMax® (#HA2217) panels for the bench top.

Set the PolyMax® panels in place as shown and square them on the frame. Using the mounting holes in the panels, secure them to the frame and center brace using Tek screws. Do not overtighten. Screws should be snug.

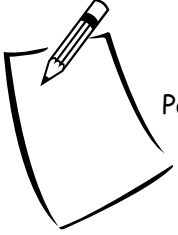
NOTE: White dashed lines show the seams between the separate panels.



Bench Frame Dimensions
Outside-to-Outside



FarmTek®



Page reserved for customer notes.