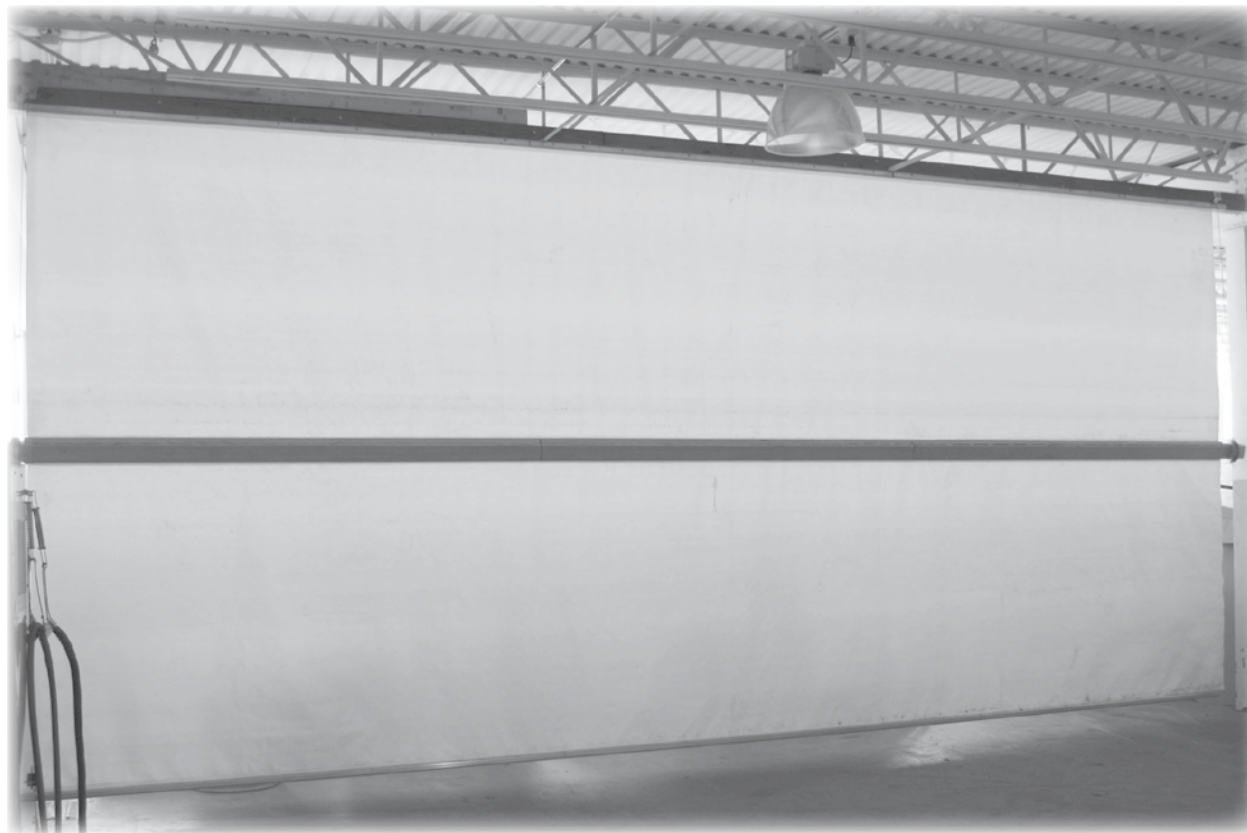




ClearSpan™ Roll-Up Curtain Room Divider



Roll-Up Curtain Room Divider

©2015 ClearSpan™
All Rights Reserved. Reproduction
is prohibited without permission.



WARNING: Cancer and Reproductive Toxicity - P65Warnings.ca.gov

Revision date: 01.15.15

Important Information

READ THIS DOCUMENT *BEFORE* YOU ASSEMBLE THE CURTAIN ROOM DIVIDER.

Thank you for purchasing this ClearSpan™ Roll-Up Curtain Room Divider. These instructions include helpful hints and important information needed to safely assemble and properly maintain the curtain and related components. Please read these instructions *before* you begin. If you have any questions during the installation, contact customer service.

SAFETY PRECAUTIONS

- Wear eye, ear, and head protection during assembly.
- Wear gloves when handling the pipe, brackets, and cable.
- Use a portable GFCI when working with power tools and cords.

⚠ WARNING: Exercise caution during installation. Strong winds can lift and blow the curtain during and after installation. Do not install the curtain during windy conditions or when such conditions are expected. When installing inside a building, keep large doors closed until the curtain is completely installed and secured.

REQUIRED TOOLS

The following list identifies the main tools needed to install the curtain room divider. *Additional tools and supports may be needed depending on the structure, location, and application. For safety and easier installation, we recommend at least two (2) people to assemble dividers up to 30' long; additional assistants are required for dividers 30' and longer.*

- Tape measures and marker to mark locations.
- Chalk line or other means to level the curtain mounts.
- Variable speed drill (cordless with extra batteries works best) and various drill bits and a masonry bit (size depends on anchor bolt).
- Metal saw (for custom installations).
- Wrench and/or socket set.
- 5/16" Hex-head/Allen wrench for winch set screw
- Hammers and additional hand tools as needed.
- Ladders, work platforms, and other machinery designed to work safely at the height of the divider opening.



ASSEMBLY PROCEDURE

Realizing that each room divider is custom-built for a specific opening, these instructions are presented to help ensure the proper assembly of the curtain and related components. Understand that you may need to adapt these instructions to safely and properly install your room divider. The information presented describes one way to assemble and install the divider.

If you are not familiar with the installation of similar components and curtain systems, you must obtain the services of a contractor experienced in these systems. Failing to follow these steps can result in an improper and unsafe installation of the curtain. The general steps outlining the installation process are as follows:

1. Verify that all parts are included in the shipment. Notify Customer Service for questions or concerns.
2. Read these instructions and all additional documentation included with the shipment **before you begin**.
3. Gather the tools, equipment, and assistants needed to install the roll-up curtain room divider.
4. Install the curtain components in the order they are presented in these instructions. Adapt these instructions as needed to install your curtain.
5. Read the care and maintenance information.

UNPACK AND IDENTIFY PARTS

The following steps will ensure that you have all the necessary parts **before** you begin.

1. Unpack the contents and place where you can easily inventory the shipment. Refer to the Bill of Materials/Spec Sheets.
2. Verify that all parts listed on the Bill of Materials/Spec Sheets are present. If you have questions or parts are missing, contact customer service.

Important Information

PICTORIAL GUIDE

The following graphics and photos will help identify the different parts of the curtain room divider system. Consult the Quick Start Guide at the back of this guide for additional details and diagrams. (Some parts are not shown.)



FA1972
7/32" Eye Screw



FAW101 (1/4" x 2-1/4")
Wedge Anchor



FA4415B
Tek Screw



FA4652
#9-15 1-1/2" Woodgrip Screw



AS1026
1/8" Cable Clamp



AS1082 Cable
Thimble



100443
Driver



108517
Roll Bar



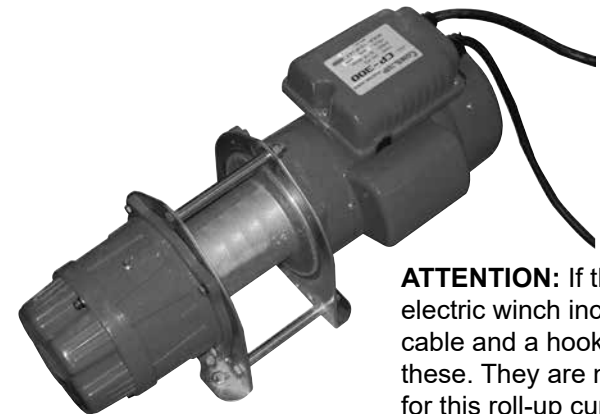
109378
Roll Bar Coupler



110831
Curtain Mounting
Channel



AS9370 Manual Winch—included with 110807
Manual Roll-Up Curtain System.



110870 Electric Winch—included with
109326 Automatic Drive System

ATTENTION: If the electric winch includes cable and a hook, remove these. They are not used for this roll-up curtain.

Curtain Panels

This room divider includes two (2) separate panels. Panels are identical and can be installed in either the upper or lower curtain position. *May not apply to custom room dividers.*

109395
Double Pulley



109784
Pulley Bracket



Items 109395 and 109784 are included to better align the cables from the winch to the room divider pulleys. They are used when the winch position differs from the examples shown in this guide. Install the 109784 brackets at an angle that best allows the pulley to remain fully seated in the bracket when the pulleys are under tension. See the note on Page 16 and the diagrams on Page 32 for additional details.

Winch—Electric or Manual

The suggested winch locations shown throughout this guide pertain to both winch types—manual and electric. Consult all documentation included with each winch for installation details and precautions.

Important Information

PICTORIAL GUIDE (continued)

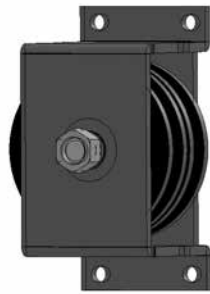
The following graphics and photos will help identify the different parts of the curtain room divider system. Consult the Quick Start Guide at the back of this guide for additional details and diagrams. (Some parts are not shown.)



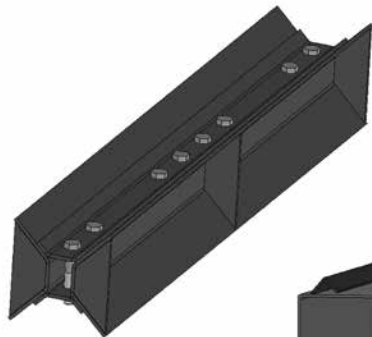
110394L
Cable Spool



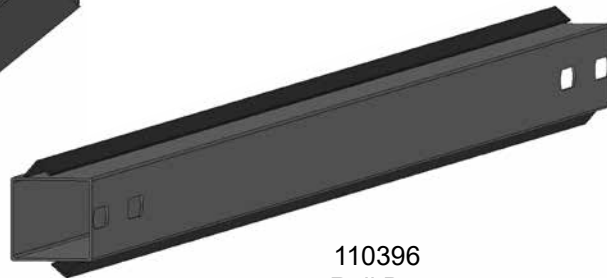
110394R
Cable Spool



110650
2-Pulley Bracket
(Use for dividers that are less than 40' wide.)



110384
Roll Bar Coupler

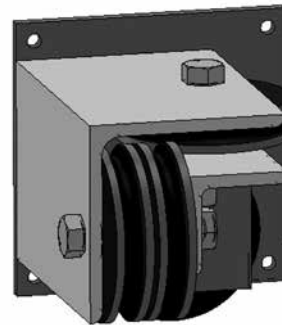


110396
Roll Bar

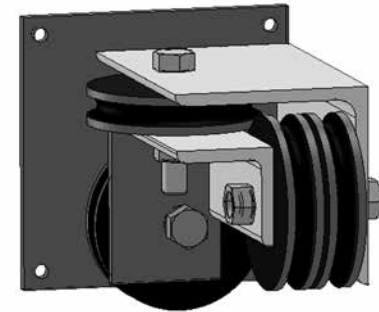
Winch—Electric or Manual

The suggested winch locations shown throughout this guide pertain to both winch types—manual and electric. Consult all documentation included with each winch for installation details and precautions.

ATTENTION: The parts shown below are used only for room dividers that are **40' wide or wider than 40'**.



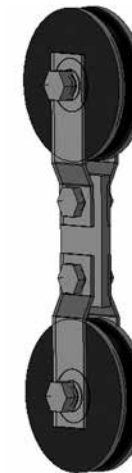
110651
4-Pulley Bracket (left)



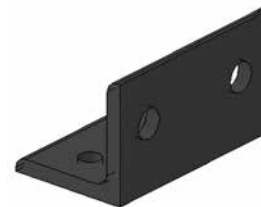
110652
4-Pulley Bracket (right)



109837
Mounted Single Vertical
Pulley



110655
2-Pulley Tensioning
Bracket



110656
Tensioning Cable Tie-Off
Bracket

Important Information

CARE AND MAINTENANCE

Proper care and maintenance of your roll-up curtain room divider will help to ensure reliable service. The following items identify areas that must be periodically checked to ensure that the components are maintained properly:

- Frequently check the curtain mount and mount support structure to verify that all components are tight and in good condition.
- Check all fasteners to verify that they remain tight.
- Inspect the electric winch and related mounting components regularly. Tighten all bolts and mounts as needed.
- Verify that all connections and connectors are secure. Tighten these if necessary. Replace all broken or missing components immediately.
- Check the curtain to verify that it is in good condition. Repair or replace as needed. Inspect frequently.
- Verify that all cables are in good condition. Replace worn or frayed cables immediately.
- Verify that all cable pulleys are in good shape. Inspect frequently to ensure that all cables and related mounts are intact and functioning as designed.
- Verify that nothing rubs against the curtain or prevents it from opening and closing as designed.
- When cleaning the panel, use tools that will not damage the material. Clean dirt and debris using mild soap and water. **Do not use solvents.**

General Information

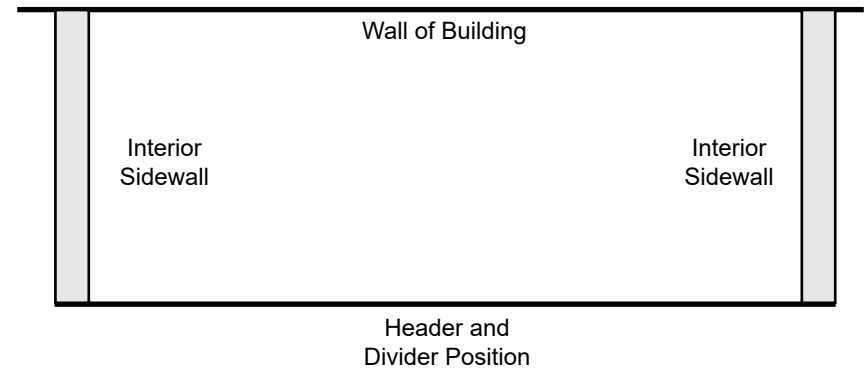
The information contained within the pages of this guide describes one way to attach the curtain room divider to the inside of a typical building. The examples may not resemble the actual installation of your curtain.

It is the customer's/installer's responsibility to use these diagrams as needed to help with the installation of the actual curtain room divider. If you are not familiar with the installation of similar room dividers, consult the services of a qualified contractor.

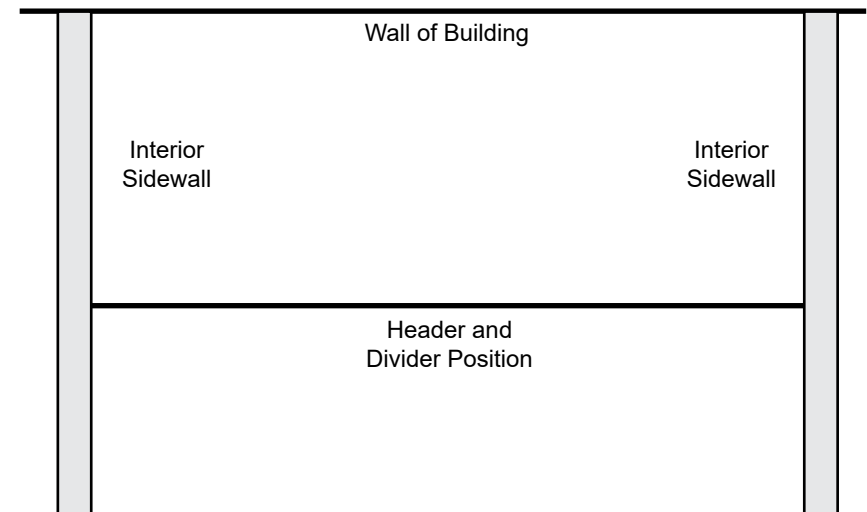
Use the following diagrams, photos, and procedures to help assemble and install the roll-up curtain room divider.

The diagrams below show two possible room divider positions. The steps presented in this manual show a divider installed between two walls within a building (lower example).

Flush (or Face) Mount Example: Top View



Divider Mounted Between Walls: Top View



Important Information

SPECIAL ASSEMBLY NOTE: Customer-Supplied Components

HEADER (Room Dividers: Less than 40' Wide)

Room dividers that are **less than 40' wide** require the installation of a 2" x 6" (minimum dimensions) header to mount the curtain channel and to support the cable pulleys. Length of this header is determined by the length of the opening.


HEADER (Room Dividers: 40' Wide or Wider than 40')

For dividers that are **40' wide or wider than 40'**, header must support a minimum of 3000 lbs., and withstand the forces generated during the operation of the divider. **Consult the services of a contractor experienced with the assembly and installation of similar systems to determine the best way to support your room divider.**

The customer is responsible for supplying the header and related mounting bolts that meet or exceed the requirements set forth above.

Difficulties, damages, and injuries that arise from departing from the recommended installation procedures are not the responsibility of the curtain system supplier.

Seek the services of a qualified contractor or structural expert if you are not familiar with the installation and operation of room dividers.

 **CAUTION: Winch includes exposed moving parts and cable. Do not install in an area where people or livestock can contact the components! If possible, construct a shield or border to protect occupants.**

Winch is equipped with a manual switch for safety. Never bypass this switch or alter it in any way. Doing so may damage winch and curtain components and can cause serious injury.

Always inspect the curtain panels and clear the area around the divider before you raise or lower the curtain.

NEVER STAND UNDER THE CURTAIN!

CABLE ASSEMBLY INFORMATION

All room divider systems include one (1) long and one (1) short main cable assembly: C18L1250K (125') and C18L6500K (65'). Do not cut these cables until you have completely installed your room divider components and have attached the cables to the winch and cable spools.

Each length of cable is wrapped around the cable spool and cut to length during the cable installation procedure shown in this guide.

In addition to the above cables, room dividers that are **40' wide or wider than 40'** include two (2) additional cables for the tensioning system. These cables (#AR3550) are of equal length and are installed after the other two cables are installed. **DO NOT MIX CABLES DURING THE INSTALLATION PROCEDURES. INSTALL CABLES AS DESCRIBED IN THIS GUIDE.**

For proper operation and safety, cables cannot be spliced. Each length of cable must remain a single piece capable of passing through the pulleys and wrapping around the winch and cable spools.

CONCRETE REQUIREMENTS

Room Dividers that are 40' Wide or Wider than 40'

Room dividers of this size require a solid concrete floor on which to mount the winch and secure the lower pulleys. Concrete must be a minimum of 4" thick and in good condition. Inspect the mounting surface for cracks and deterioration and repair as needed to create a sound surface capable of withstanding the forces created during the operation of the room divider.

If no concrete floor is present, the customer must take the necessary steps to create a suitable mounting surface. **Consult the services of a structural engineer or professional contractor experienced with the installation of similar components and systems.**

Winch—Electric or Manual

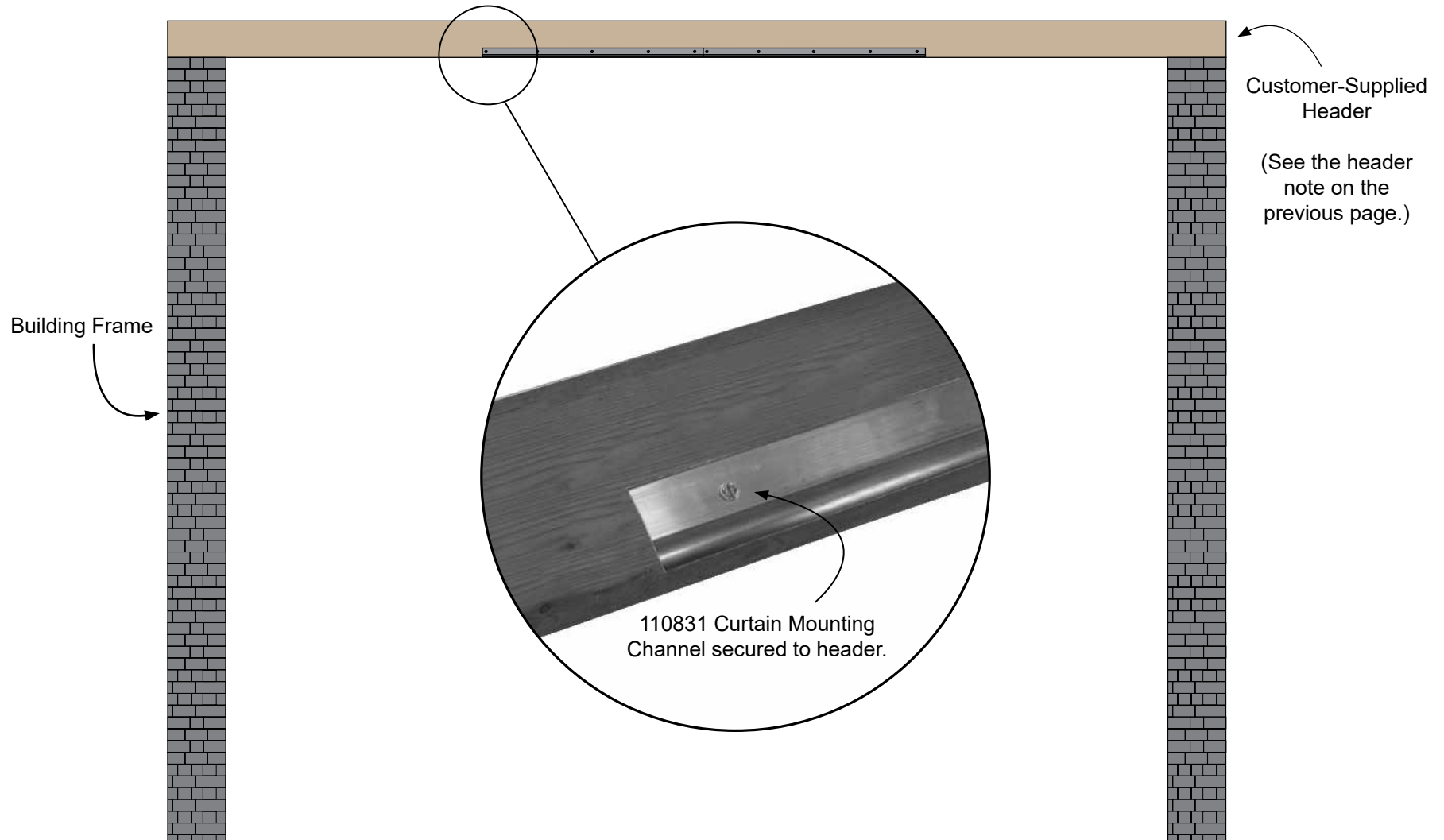
The suggested winch locations shown throughout this guide pertain to both winch types—manual and electric. Consult all documentation included with each winch for installation details and precautions.

Installation

1

ATTACH ROLL-UP CURTAIN

1. Determine curtain position on the building and install the customer-supplied header. (See the header note on the previous page.) With the header installed, use a chalk line and level to create a line to mark the position of the curtain mounting channel. **IMPORTANT: To ensure proper and even operation, the curtain must hang squarely from the mounting surface.**
2. Using the chalk line as a guide, take the first section of 110831 mounting channel and attach it to the header using the FA4652 wood screws. Use the 100443 nut driver to install the fasteners. **For best results and to prevent curtain contact with the header, mount the 110831 mounting channel near the bottom of the header. You must mount the channel squarely on header to ensure proper operation. If the header is installed between walls as shown, do not install the two outside sections of 110831 channel. These are installed last.**

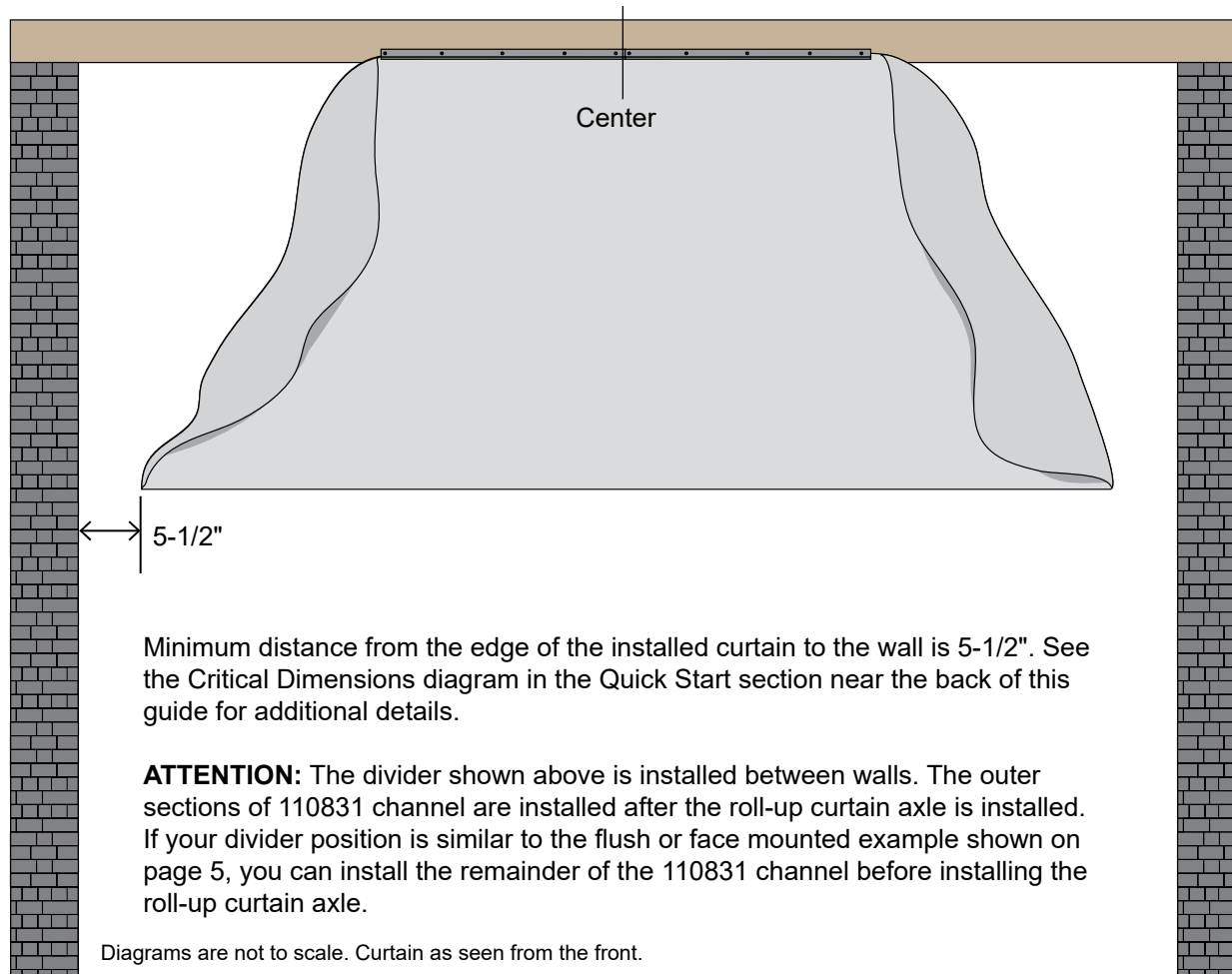


2

ATTACH CURTAIN TO THE HEADER

In this example, the curtain is centered in the opening. If your divider requires a different position, consult the critical dimension shown below and adapt these instructions to your application. *You must maintain the minimum clearances at each end of the panel as identified below.*

1. Spread one panel out on a clean surface to prevent damage and mark the center along an edge that includes the rope. See FIG. 1.
2. Measure the length of the panel, and using the dimension below, determine where to position the center of the panel on the header, and mark that location on the header.
3. Beginning at one end of the channel, slide the rope into the channel and align the marks (Figs. 2 & 3). The example below shows a divider installed between walls. (See the examples on page 5.) The ends of the panel hang freely to allow for the installation of the roll-up curtain axle described on the next page. The remaining sections of 110831 are installed after installing the curtain axle.



Rope Edge of Panel

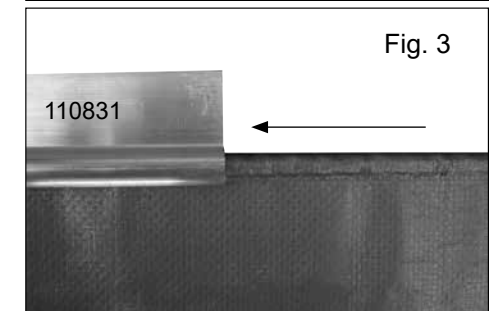
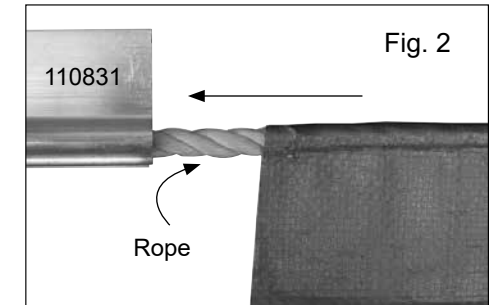


Photo above shows feeding the rope and panel into the channel.

3

INSTALL ROLL-UP CURTAIN AXLE

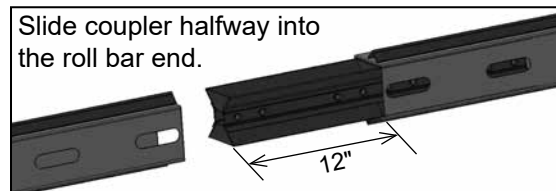
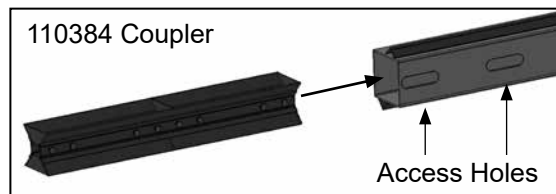
At this stage, different room dividers may require additional tools, lifts, and additional assistants depending on room divider size. Use the following information as a *general guideline* when assembling and installing the roll-up curtain axle for your room divider.

CAUTION: ROLL-UP AXLE COMPONENTS ARE HEAVY! EXERCISE CAUTION DURING ASSEMBLY. CONSULT THE SERVICES OF A QUALIFIED CONTRACTOR IF YOU ARE NOT FAMILIAR WITH THE INSTALLATION OF SIMILAR SYSTEMS, OR IF YOU DO NOT HAVE THE SKILLS AND EQUIPMENT TO COMPLETE THIS PORTION OF THE ASSEMBLY. **ASSISTANCE IS REQUIRED TO CONTINUE!**

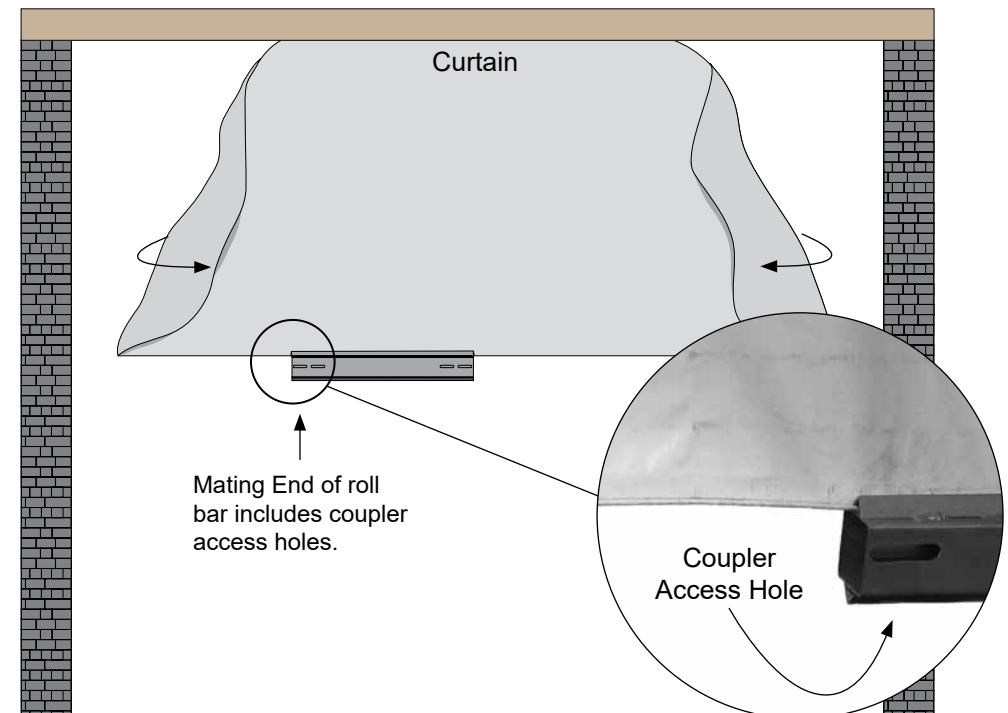
1. With assistance, take all sections of the 110396 roll bar and position these end-to-end within the room opening to determine the installation pattern. **Two roll bar sections include one end with coupler access holes (mating end) and one plain end (no access holes). Position these roll bars at far left and far right of the roll bar assembly with the plain end outward.** See diagrams on Page 11 for details.
2. Move to the back of the curtain panel and pull the loose ends of the upper curtain panel around to the back as shown.
3. Slide the first section of 110396 roll bar onto the lower edge of the upper curtain panel. Use the width of the curtain and the length of each roll bar to determine its position on the panel. To prevent damage, *exercise caution when threading the panel into the channel of the roll bar.* Refer to the *Critical Dimensions* diagram in the *Quick Start* section to determine end clearances when axle is fully assembled and installed.

ATTENTION: Position the coupler access holes, present at all mating ends of each roll bar section, as desired. Typically, these are positioned so they cannot be seen when the curtain is fully extended in the down (or closed) position.

4. Position a 110384 coupler so the anchor bolt heads are accessible through the access holes in the roll bar and slide the coupler halfway (12") into the end of the installed roll bar.



Diagrams show the components from the back.



Diagrams are not to scale. Curtain as seen from the back.

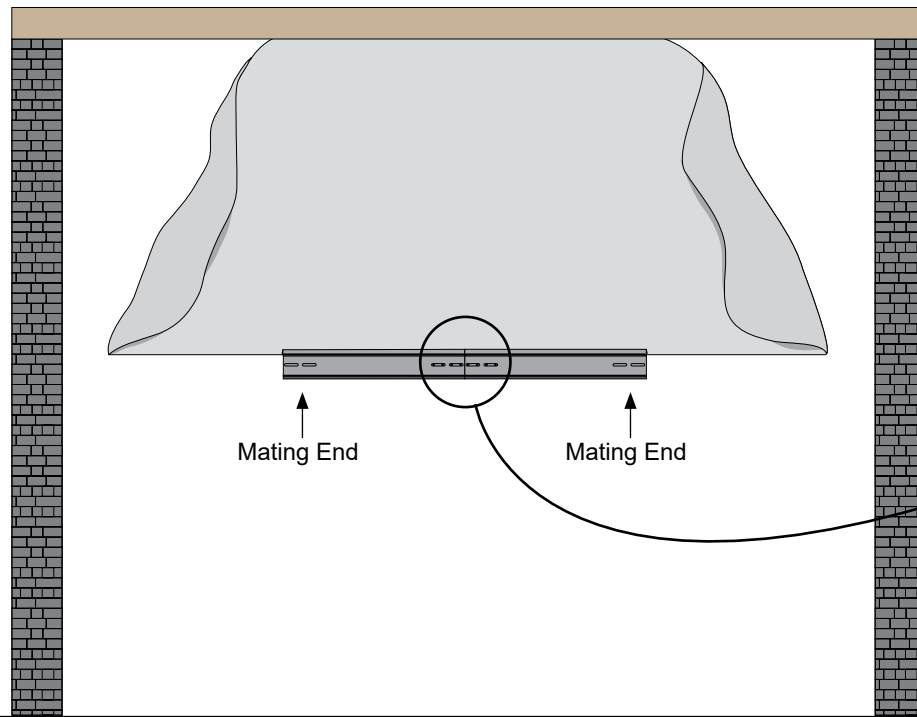
3

INSTALL ROLL-UP CURTAIN AXLE (continued)

5. Take another section of 110396 roll bar, slide it onto the curtain as previously described, and slide it over the exposed end of the 110384 coupler.

ATTENTION: Verify that the roll bar sections mate properly and that the angles of the curtain channels of the roll bar are aligned.

6. Verify that both roll bars are in the desired position, adjust the coupler as needed so all anchor bolt heads are visible in the access holes. (Use a pry bar to reposition the coupler if needed. Insert an end into the access holes and gently pry against the bolt heads to realign the anchor bolts with the access holes.) The ends of the roll bars should be tight against each other.
7. Tighten all coupler anchor bolts to secure the connection using a ratchet and 9/16" socket.



Diagrams are not to scale. Curtain as seen from the back.

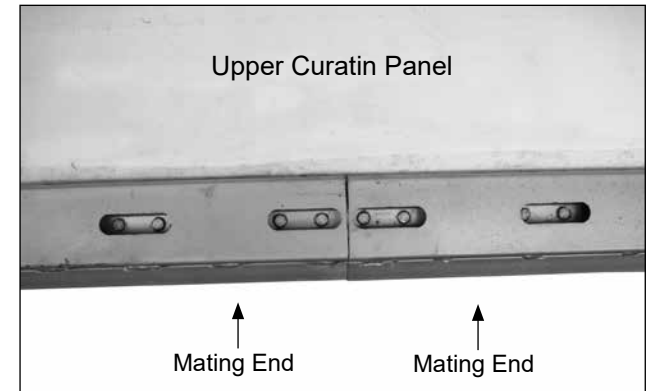


Photo above shows the back of the curtain axle at a coupler connection with the upper curtain panel installed. Mating ends of all roll bars include the coupler access holes.



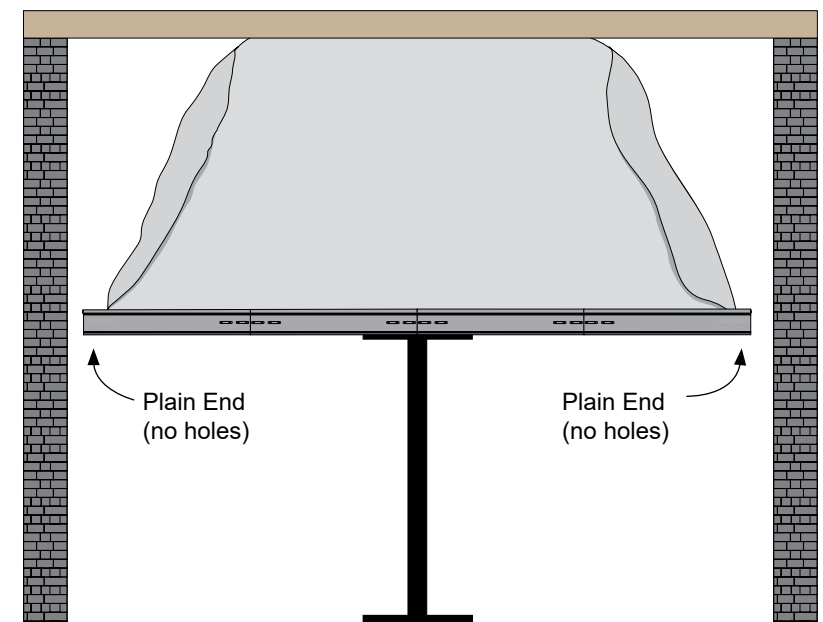
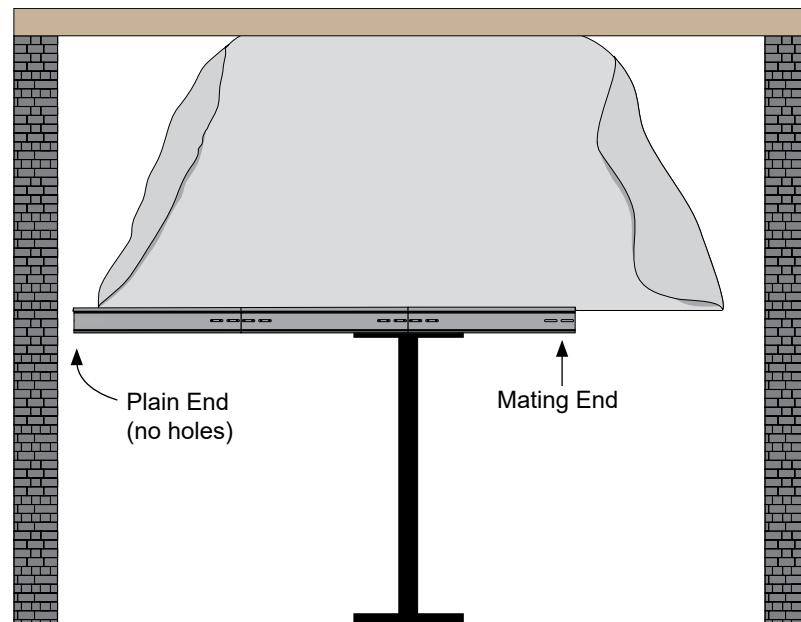
STEP 6: Tighten the coupler anchor bolts.

3

INSTALL ROLL-UP CURTAIN AXLE (continued)

- Repeat the steps as needed to install the remaining roll bar sections and related couplers. Be sure to maintain the required minimum clearances at each end during the installation of the remaining roll bars and couplers. Reposition the roll bars on the upper curtain panel during the assembly to maintain the proper end clearances. **Remember to install the two roll bar sections with the plain ends outward at the far left and far right of the roll bar assembly. See lower right diagram.**

ATTENTION: As the roll bar sections are added, place temporary supports under the assembled curtain axle for support. Number of supports depends on the length of the curtain. Supports are removed before the installation of the lower curtain panel.



Diagrams are not to scale. Curtain as seen from the back.

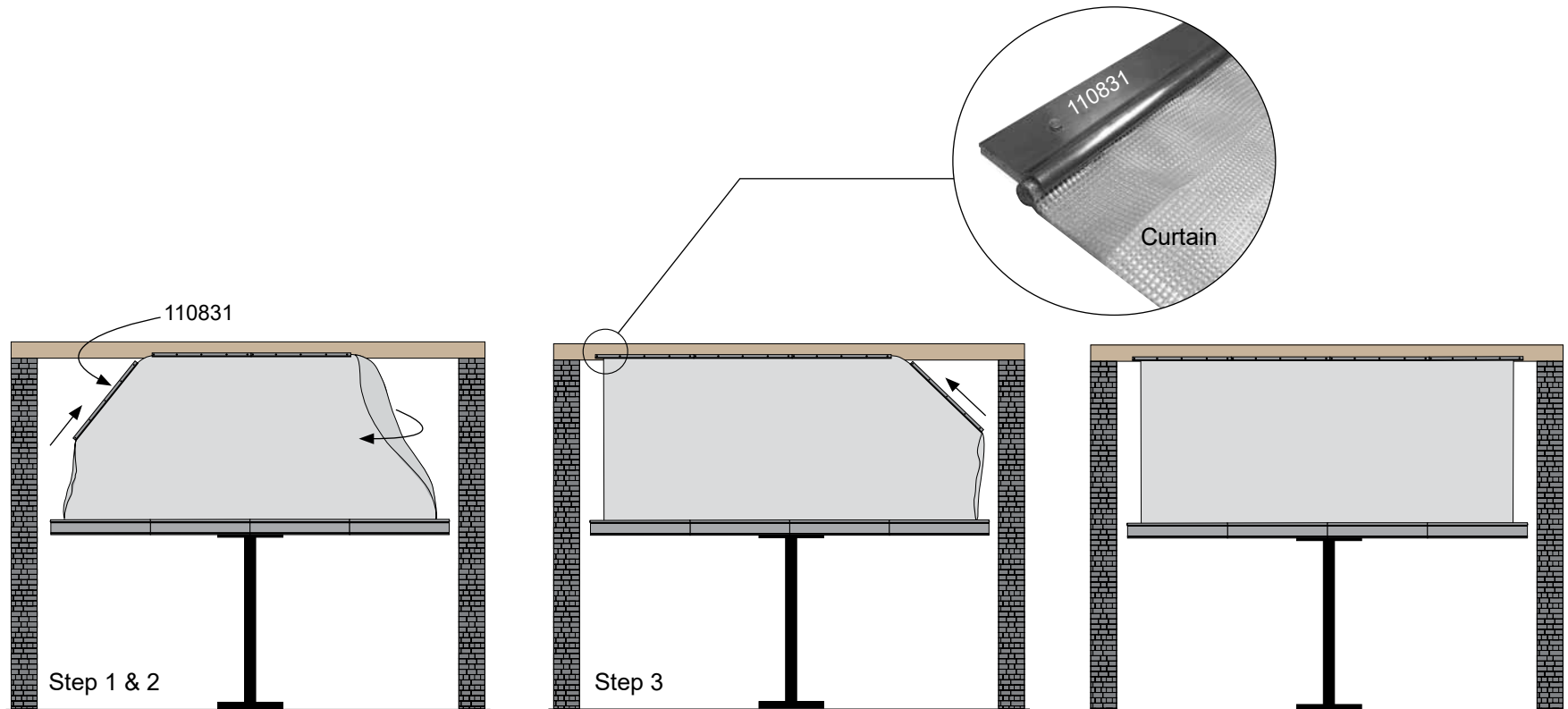
4

SECURE FREE ENDS OF UPPER CURTAIN PANEL

1. Pull ends of the upper curtain panel around to the front as shown below.
2. Take a section of 110831 channel, slide it onto the free end of the upper panel, and secure it to the header using FA4652 wood grip screws.
Review Section 1 if needed.

NOTE: Trim the last sections of 110831 channel to length if needed.

3. Repeat to attach the remaining section (or sections) of 110831 channel.
4. Continue by installing the lower curtain panel.



Diagrams are not to scale. Curtain as seen from the front.

5

INSTALL THE LOWER CURTAIN PANEL

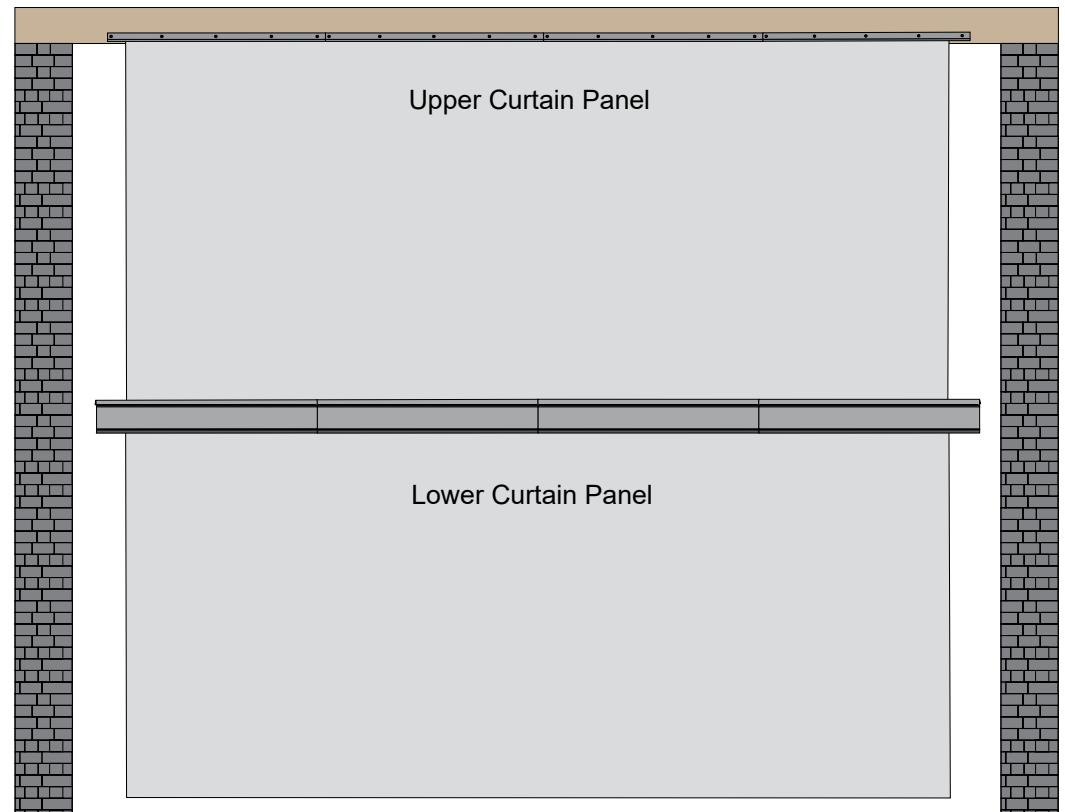
1. Remove all supports and allow the curtain axle to hang freely from the upper curtain panel and curtain mounting channel.
2. Verify that the curtain and axle are level.

IMPORTANT: The curtain will not roll up evenly if the assembly is not hanging evenly from the header. If necessary, disassemble as needed to level the curtain and reassemble *before* continuing.

3. Take the remaining curtain panel and carefully thread the end of one edge into the channel of the curtain axle. See the Details diagram in the Quick Start section for additional information.
4. Center the panel as needed to maintain the required clearances at each end and continue with the next section.

ATTENTION: If it is possible that wind will blow the loose curtain, temporarily secure the curtain axle to the main building frame to prevent injury and damage to the building or curtain components.

DO NOT ALLOW A HANGING CURTAIN AND AXLE TO REMAIN UNSECURED IF THERE IS ANY CHANCE OF A SUDDEN GUST OF WIND. WINDY CONDITIONS OUTSIDE AN ENCLOSED SPACE CAN AFFECT A CURTAIN IF SOMEONE OPENS ANY DOOR TO THE BUILDING. WHEN IN DOUBT, ALWAYS SECURE A LOOSE CURTAIN UNTIL FULLY INSTALLED.



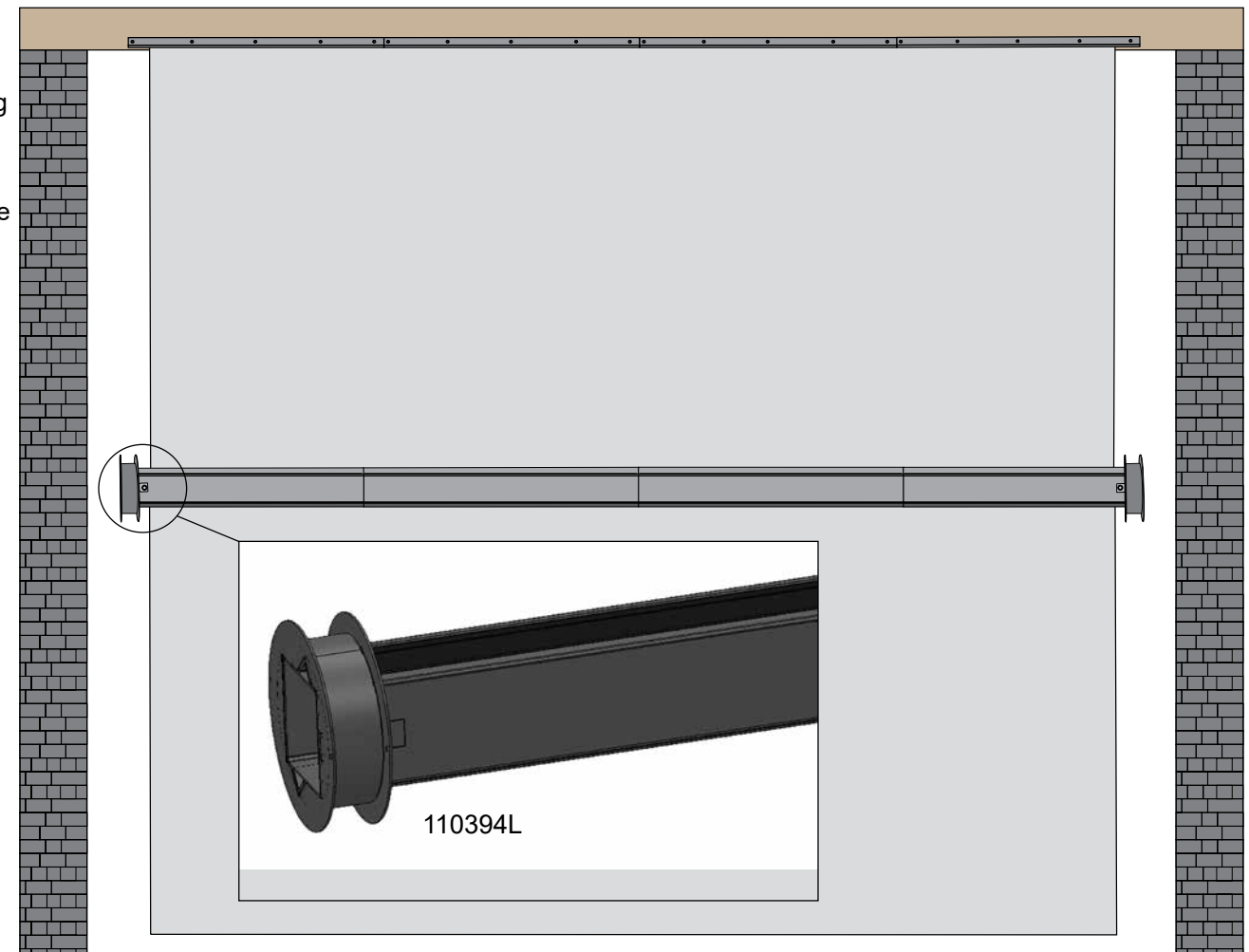
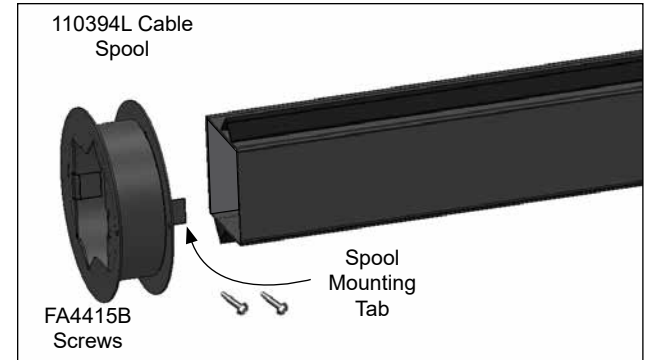
Diagrams are not to scale. Curtain as seen from the front.

6

ATTACH THE CABLE SPOOLS TO THE CURTAIN AXLE

Consult the Details diagram in the Quick Start section before you begin for additional information.

1. Take the 110394L cable spool and slide it onto the left end of the curtain axle assembly.
2. Consult the Critical Dimensions diagram in the Quick Start section of this guide and position the spool correctly on the 4" x 4" roll bar. *Do not allow the installed spool to extend beyond the end of the roll bar.*
3. Using the FA4415B screws and 100443 nut setter, secure the spool to the roll bar by driving the screw through the spool mounting tabs and into the roll bar.
4. Attach the remaining 110394R cable spool to the other end of the roll bar as previously described.
5. Continue by installing the lower panel trim rail as described in the next procedure.



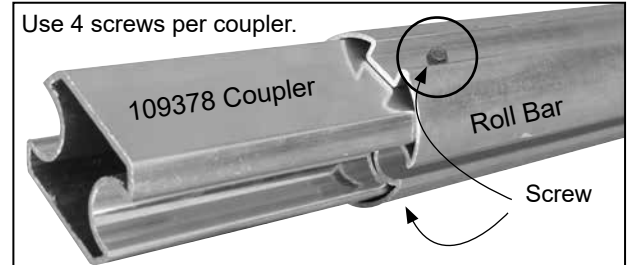
7

INSTALL LOWER PANEL TRIM RAIL

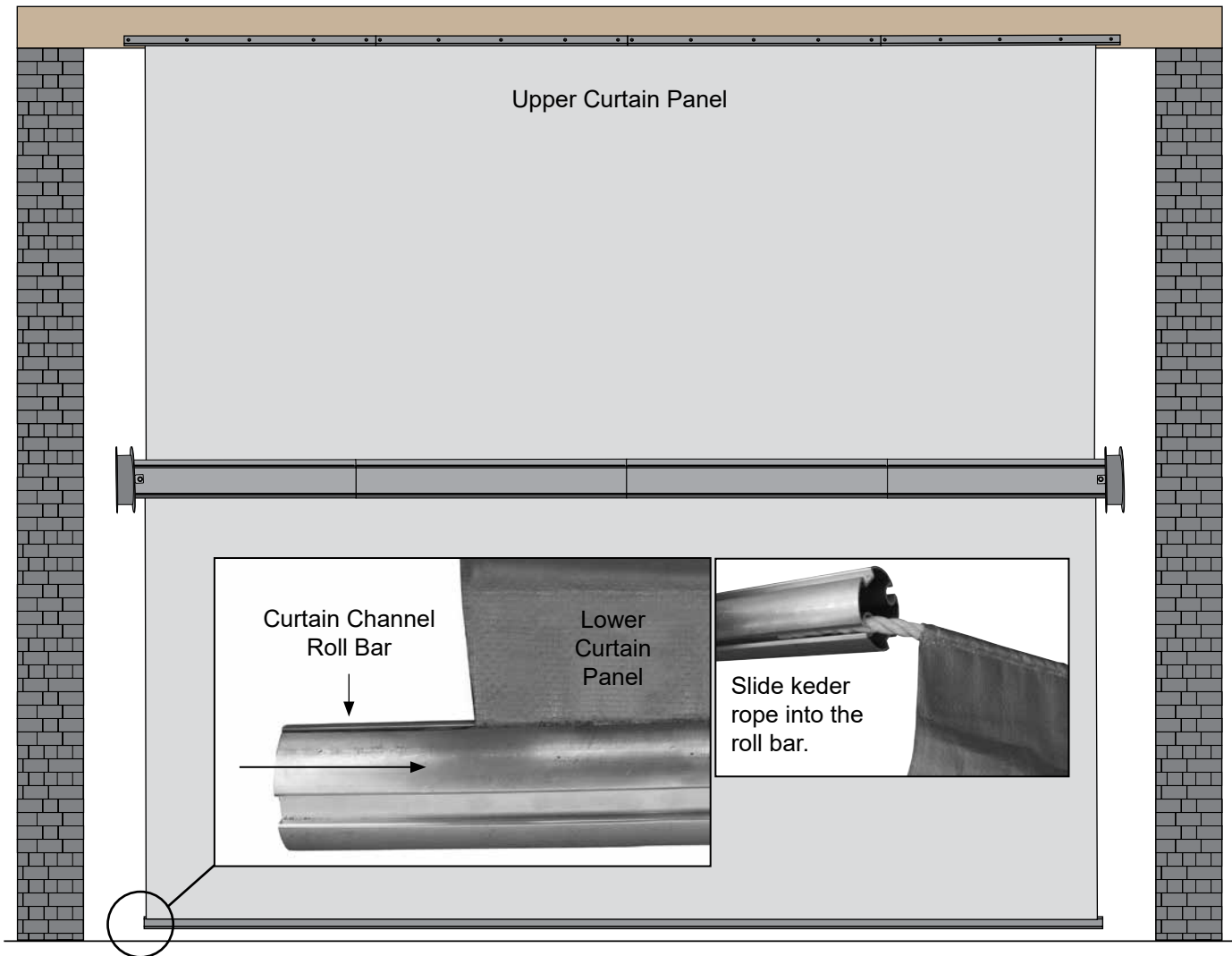
1. Take one section of the 108517 curtain channel roll bar and slide it onto the lower curtain panel.
2. Slide one 109378 coupler halfway into one end of the roll bar and secure in place using two (2) FA4415B screws and the 100443 nut setter.
3. Secure the coupler to the roll bar using two (2) more FA4415B screws installed opposite each other.
4. Repeat this procedure as needed to install all remaining sections of the 108517 curtain channel roll bar to finish the lower edge of the lower panel.

Be sure to secure each splice joint by using a coupler as shown.

Use 4 screws per coupler.



Secure coupler to roll bar *on each side* using the screws supplied with curtain and axle components.



8

INSTALL WINCH—Manual or Electric: Choose Winch Position (left or right side of the room opening)

Mount the manual or electric winch in any location that allows for a clear, safe, and obstruction-free path for cables and pulleys. Location should also consider traffic patterns around the divider area so the winch position does not interfere with these patterns or introduce a safety hazard.

Four (4) wedge anchors (FAW101) are included to **mount the winch to a concrete wall or floor**. If substrate is not solid concrete, a suitable mounting surface must be created. **If you are not experienced with the installation of similar systems or components, contact a qualified and experienced contractor for assistance. Consult the Winch diagram in the Quick Start section.**

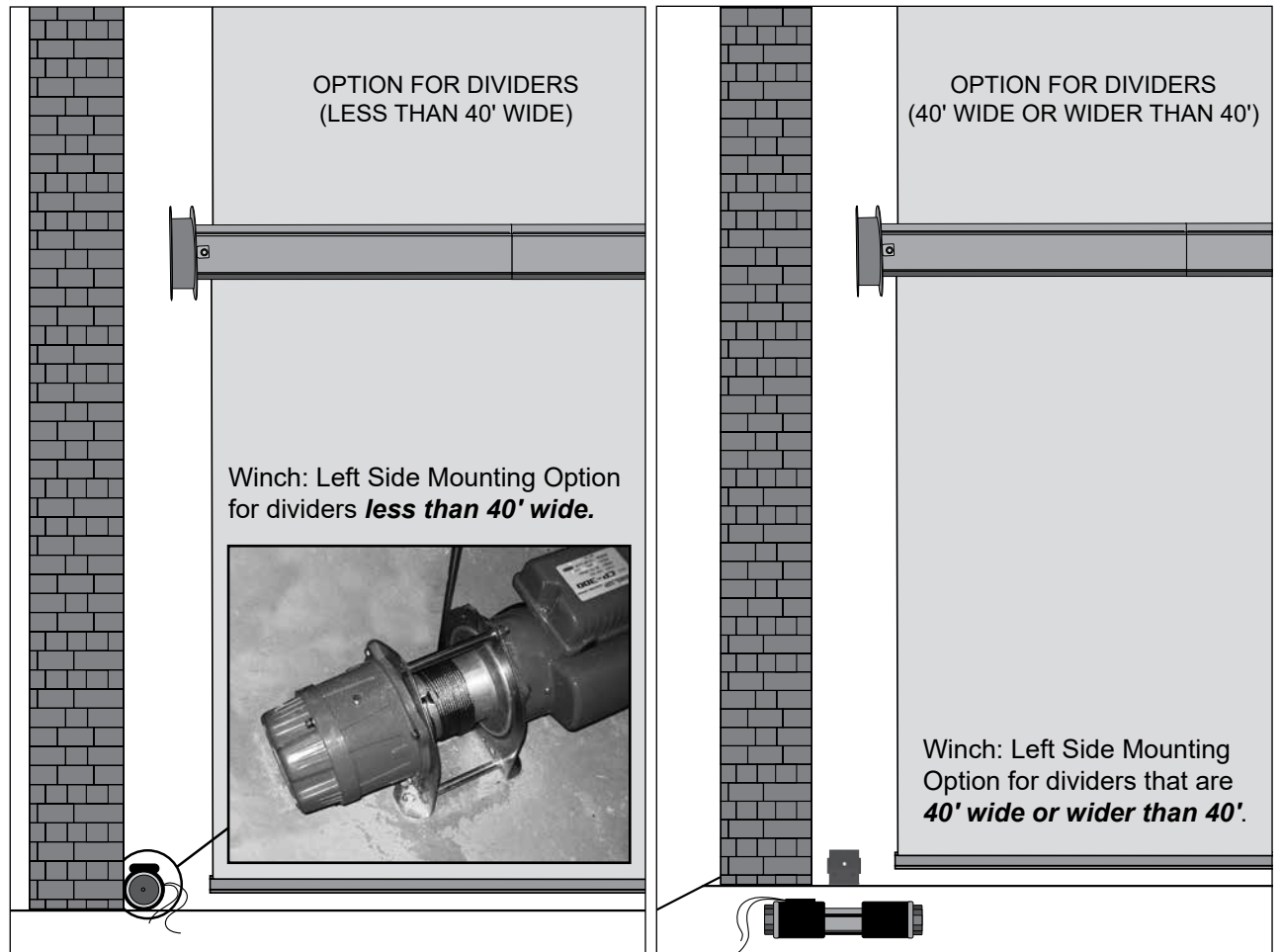
Secure the winch in place and continue with the installation of the pulleys. Use a masonry bit and hammer drill to install the FAW101 wedge anchors to secure the winch to the mounting surface.

Consult the photos in the Quick Start section of this guide for additional winch mounting suggestions.

ATTENTION: Pulley assemblies included with your divider are used when the winch is mounted to a concrete floor. See diagram to the right and on the next page.

Mounting locations that differ from what is shown may require additional pulleys and brackets to safely run the cable to the winch. Two sets of double pulleys and mounting brackets (109395/109784) are included to help align cables when winch position changes. **The customer/contractor is responsible for determining how to run the cable when winch is mounted in an alternate location.** Contact customer service to purchase additional brackets and pulleys if needed.

REQUIRED FOR ELECTRIC WINCH: After installing the electric winch, consult the services of a qualified electrician to connect the winch to a power source. Electrical requirements are identified on the winch.

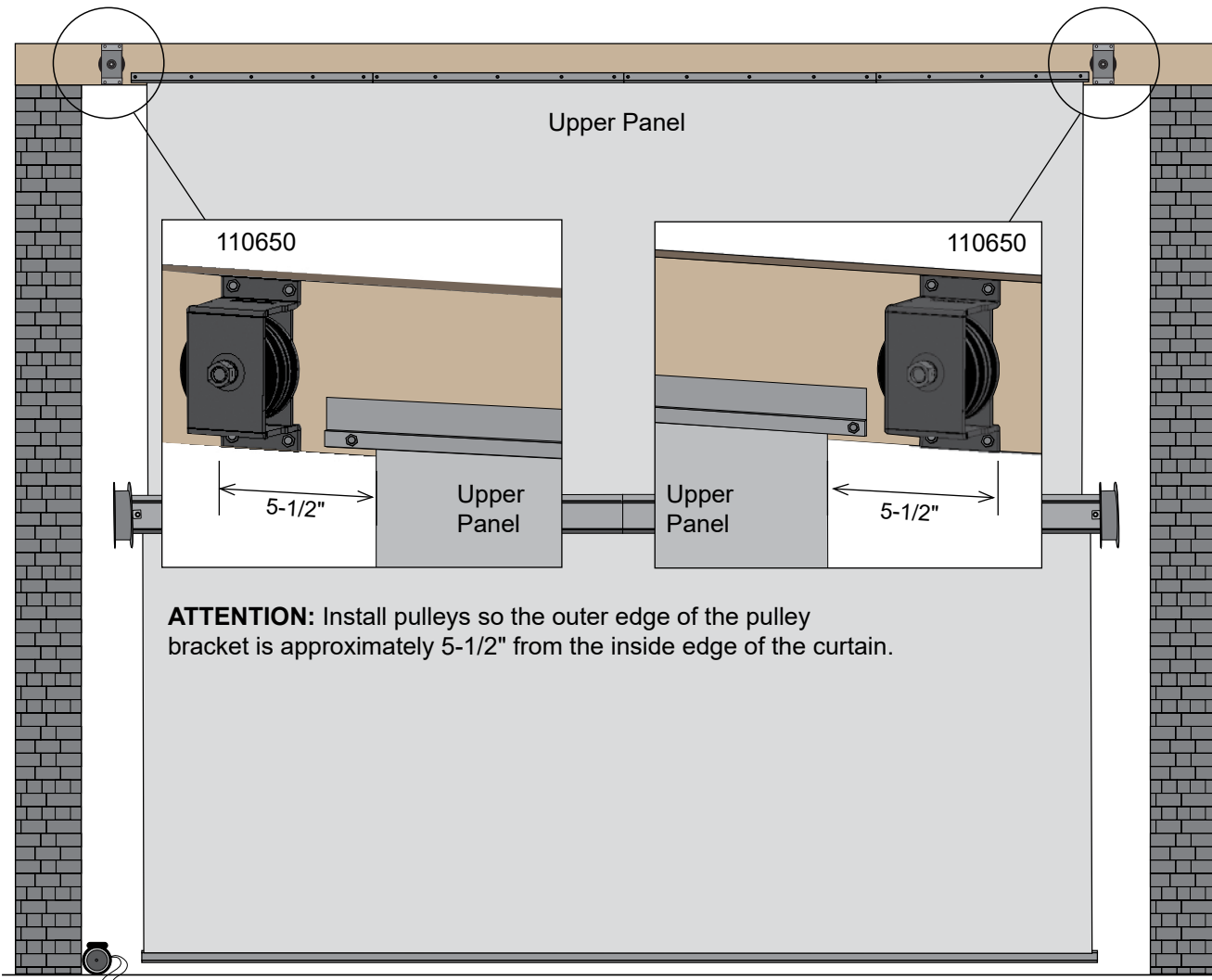


9a

INSTALL PULLEY ASSEMBLIES: For dividers that are *less than 40' wide*.

If your divider is **40' wide or wider than 40'**, skip this procedure and continue with Procedure 9b on the next page. After installing the winch, use the diagrams and photos below to mount the pulleys. FAH009B 1/4" x 4" carriage bolts are included to mount the 110650 brackets to the installed header. If these fasteners do not work for your header, alternative fasteners can be purchased locally, or call your sales representative for additional options.

Consult the Pulley and Bracket Location Diagram in the Quick Start section for additional details.



9b

INSTALL PULLEY ASSEMBLIES: For dividers that are 40' wide or wider than 40'.

After installing the winch, use the diagrams below to mount the pulley assemblies. FAH009B 1/4" x 4" carriage bolts are included to mount the 110651 and 110652 brackets to the installed header. If these fasteners do not work for your header, alternative fasteners can be purchased locally, or call your sales representative for additional options.

Consult the Pulley and Bracket Location Diagram in the Quick Start section for additional details.

CONCRETE NOTE:

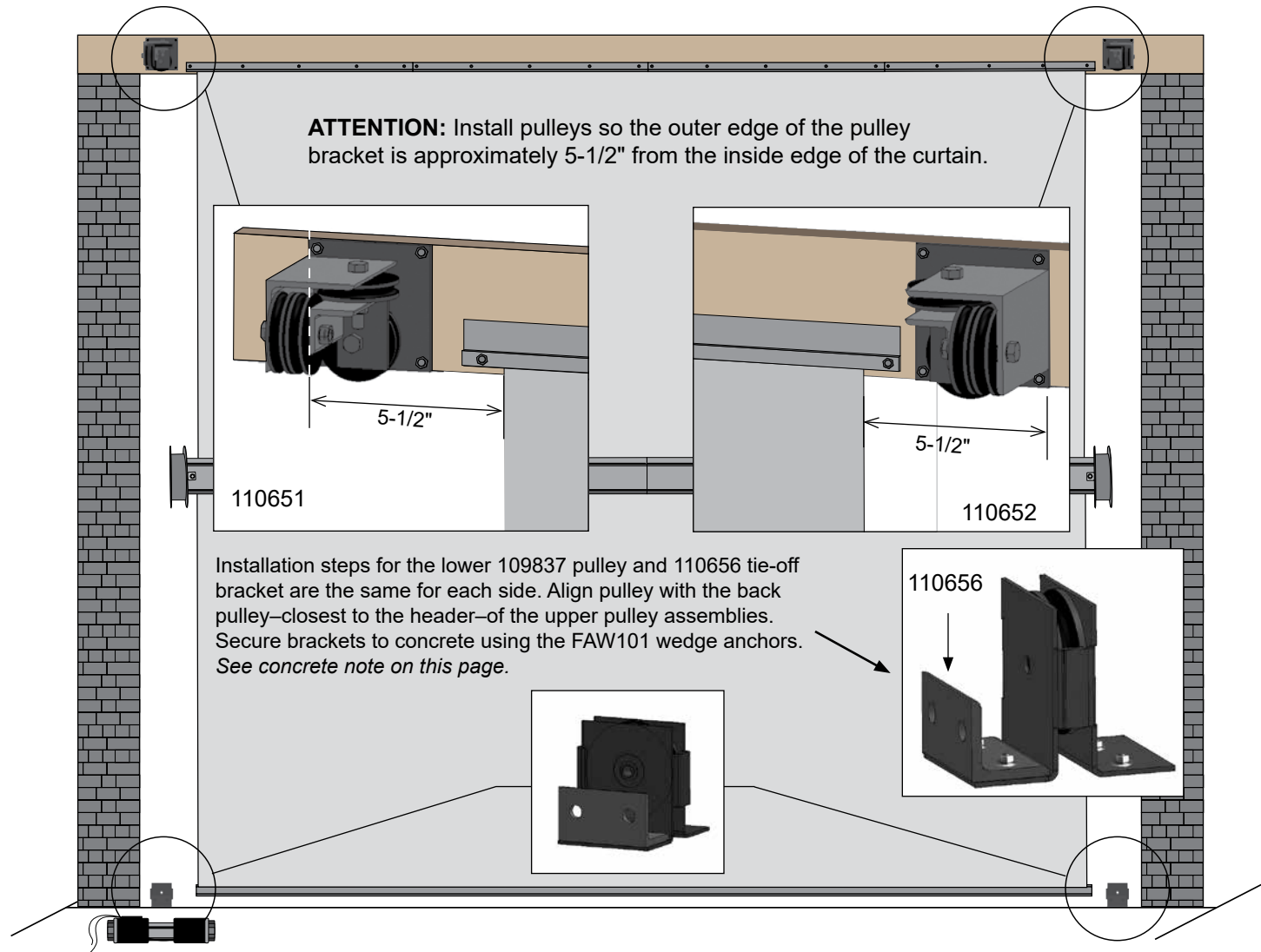
The lower pulleys require a solid concrete surface for mounting. Minimum floor thickness is 4". Do not install where floor is cracked.

Consult the services of a qualified contractor for additional information and suggestions when a concrete floor is not present.

A small concrete pad is not sufficient for a safe and reliable mounting surface!



Diagram shows the 110655 and 109837 brackets before they are anchored to concrete.



10

INSTALL CABLE GUIDES

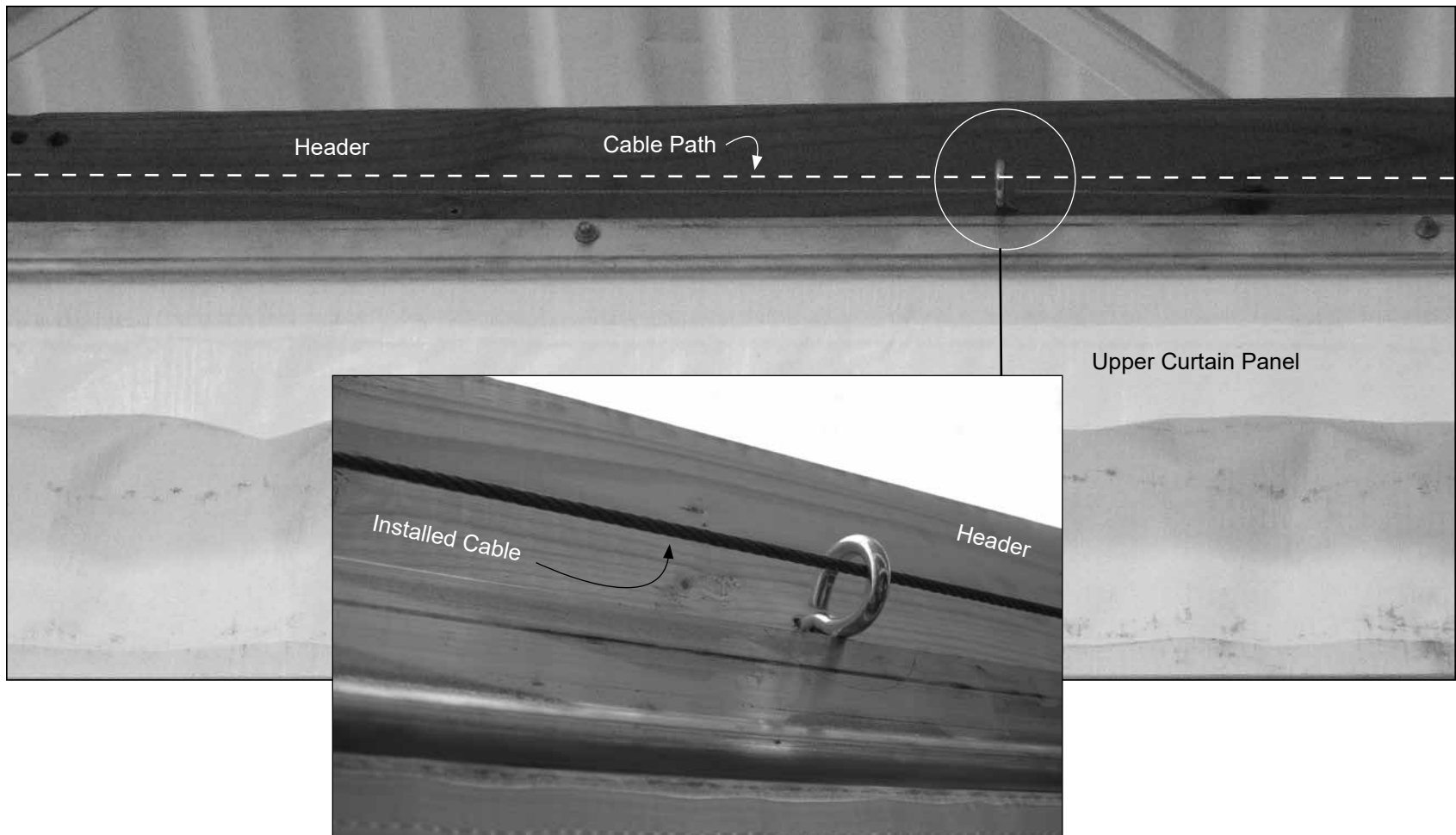
After installing the pulleys, install the FA1972 cable guides. These guides help to keep the cable aligned with the pulleys when the roll-up curtain is opened and closed.

Using the diagrams below, install the cable guides (FA1972) along the length of the header. Space the guides evenly at 60" intervals. Adjust spacing as needed for curtain lengths that are not divisible by 5.

Align cable guides with the installed pulleys. Wrap a string line around the pulleys, or use a section of cable pulled taut to properly align and install the guides.



FA1972 Cable Guide



11

SECURE CABLES TO THE WINCH

Installing cables is the final step in the assembly of the room divider. *Consult the instructions with the manual winch to connect the cable.* Example below shows how to connect the cable to the electric winch.

Complete the following steps to attach the cables to an electric winch:

1. Move to the winch and, using the winch control switches, rotate the drum so the cable key hole is accessible.

NOTE: If your winch includes an installed cable and hook, remove that cable from the winch. It is not used for your roll-up room divider.

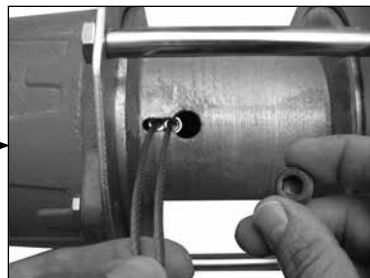
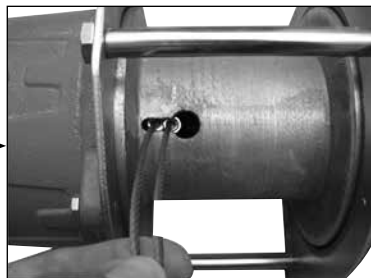
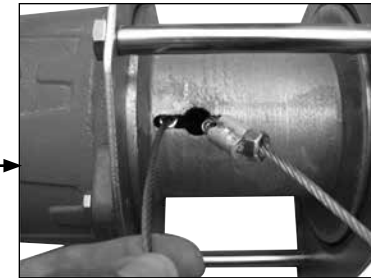
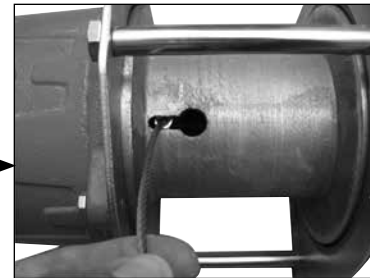
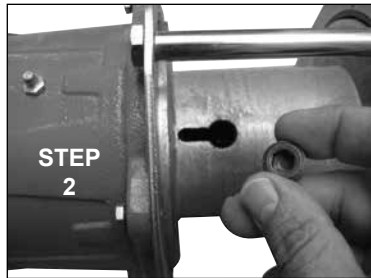
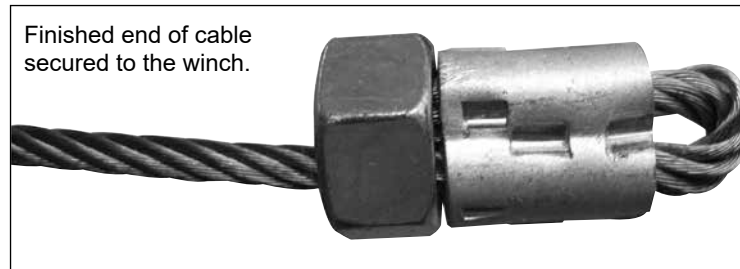
CAUTION! Do not continue this procedure until the main power to the winch is disconnected!

2. Disconnect the main power to the winch and remove the set screw from the drum.
3. Insert the finished end of each cable assembly (C18L1250K and C18L6500K) into the winch drum, install the set screw, and tighten using a 5/16" hex-head wrench.
4. Continue by connecting the cables to the cable spools.

CABLE ASSEMBLY INFORMATION

Your room divider includes one (1) long and one (1) short main cable assembly: C18L1250K (125') and C18L6500K (65'). Do not cut these cables until you have completely installed your room divider components, attached the cables to the winch and cable spools, and have tested the room divider. Each length of cable is wrapped around the cable spool and cut to length during the cable installation procedure shown in this guide.

For proper operation and safety, cables cannot be spliced. Each length of cable must remain a single piece capable of passing through the pulleys and wrapping around the winch and cable spools.



12

SECURE CABLES TO THE CABLE SPOOLS (Left or Right Side Winch)

Use for divider widths that are less than 40'. If your room divider is 40' wide or wider than 40', continue with Procedure 13.

1. Carefully reconnect the power supply to the winch. Have an assistant grasp both cables at least 5' feet from the winch. Wear gloves! Pull the installed cables tight to remove slack and to keep them aligned.
2. Using the winch control switches, activate the winch and allow it to wrap the two cables around the drum 2-3 times. Verify that the cable is positioned on the drum correctly and that it does not rub against any part to the winch or overlap any previous cable wraps. *Turn the winch off and disconnect the power after wrapping the cable around the hub. Do not allow the cables on the drum to become loose.*

⚠ CAUTION! Do not continue this procedure until the main power to the winch is disconnected!

3. Take the long cable (C18L1250K), thread it through the attached double pulleys and cable guides—use the inside pulley *closest to the header* for this cable—and run the cable end down to the cable spool farthest from the winch. See the cable diagram on the following page.
4. Using the formula in the right column (top), calculate the number of times the cable must wrap around the cable spool and wrap the cable. Wrap cable **around the front of the spool** as shown in the photo. Begin at the inside edge of the spool and work toward the outside. Keep the cable tight from the winch to the spool as you wrap it around the spool.

NOTE: Excess cable may remain after you wrap it the required number of times around the winch and spool. This extra cable can be wrapped around the spool or it can be removed. **DO NOT REMOVE THE EXCESS CABLE UNTIL YOU TEST THE OPERATION OF THE ROOM DIVIDER!**

5. Finally, thread the free end of the cable through the mounting hole in the cable spool and secure it using a cable clamp as shown. **Be sure to loop the cable end through the clamp to better secure the end. Tighten the clamp nuts. See the photo to the right.**

ATTENTION: The spool position for your curtain is flush to the end of the roll bar as previously installed. The photo to the right is included to show how to wrap and secure the cable to the spool. **Design and spool position may differ slightly from actual roll bar for your divider.**

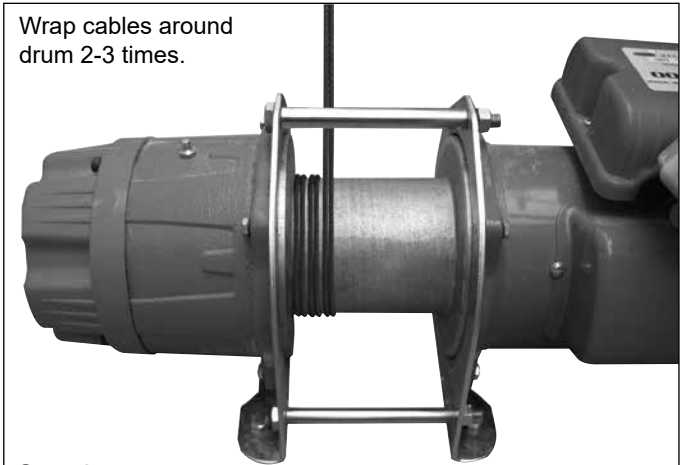
CALCULATING THE NUMBER OF CABLE WRAPS

To ensure the cable is wrapped around each cable spool the required number of times, use this formula:

Height (h) of curtain (in feet) divided by 2 = number of wraps (w)
For example: Height of curtain is 30'.

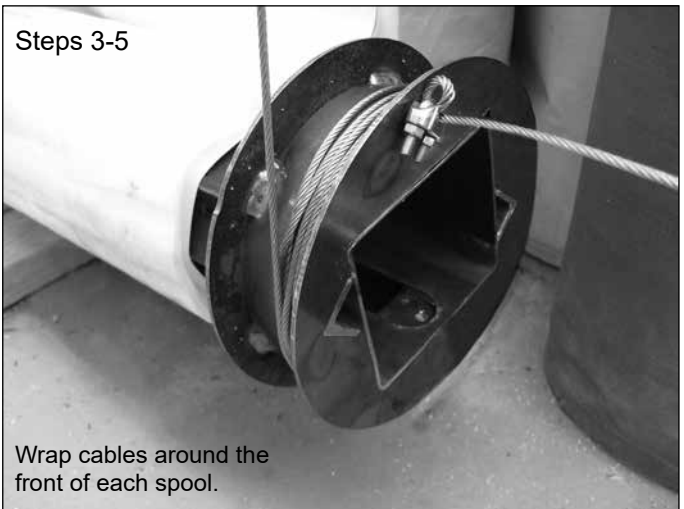
$$30 \div 2 = 15 \text{ (number of wraps around each spool)}$$

Wrap cables around drum 2-3 times.



Step 2

Steps 3-5



Wrap cables around the front of each spool.

12

SECURE CABLES TO THE CABLE SPOOLS (Left or Right Side Winch Mount)

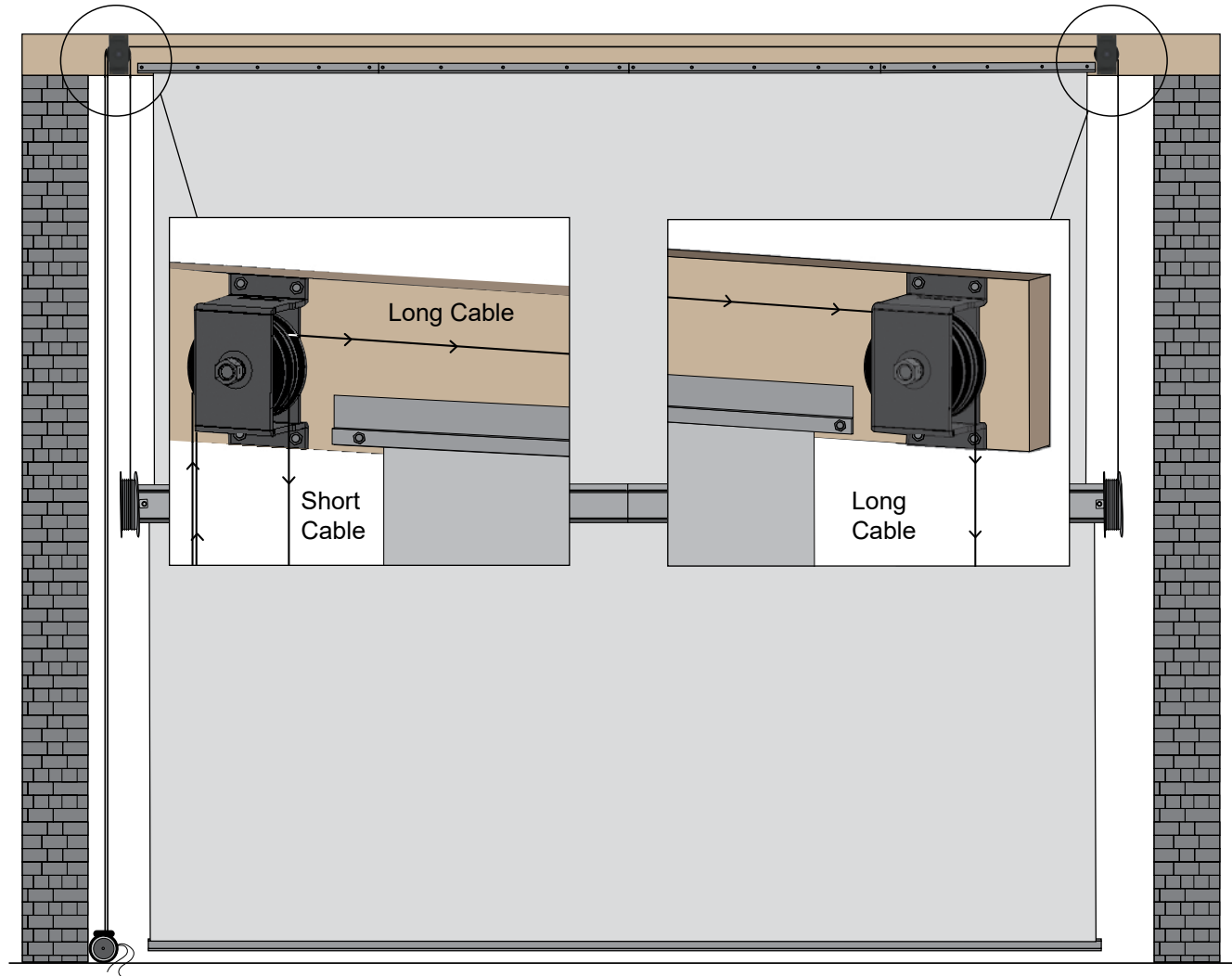
Room dividers *less than 40' wide*: continued

6. Return to the short cable (C18L6500K), pull it up to and through the outer pulley, and back down to the cable spool closest to the winch.
7. Repeat the steps to wrap and secure that cable to the cable spool.
8. Verify that no obstacles are present and that the divider is free to open and close.

NOTE: Check that all cables are seated in each pulley and wrapped around the front of the cable spools attached to each end of the curtain axle.

9. Skip Sections 13 & 14 and read the checklist (Procedure 15) to verify that the divider is properly assembled.
10. Reconnect the power to the winch and test the operation of the room divider.
11. Adjust cables as needed to allow the divider to evenly lift both ends of the curtain assembly.

ATTENTION: Sections 13 & 14 *do not apply* to dividers that are less than 40' wide.



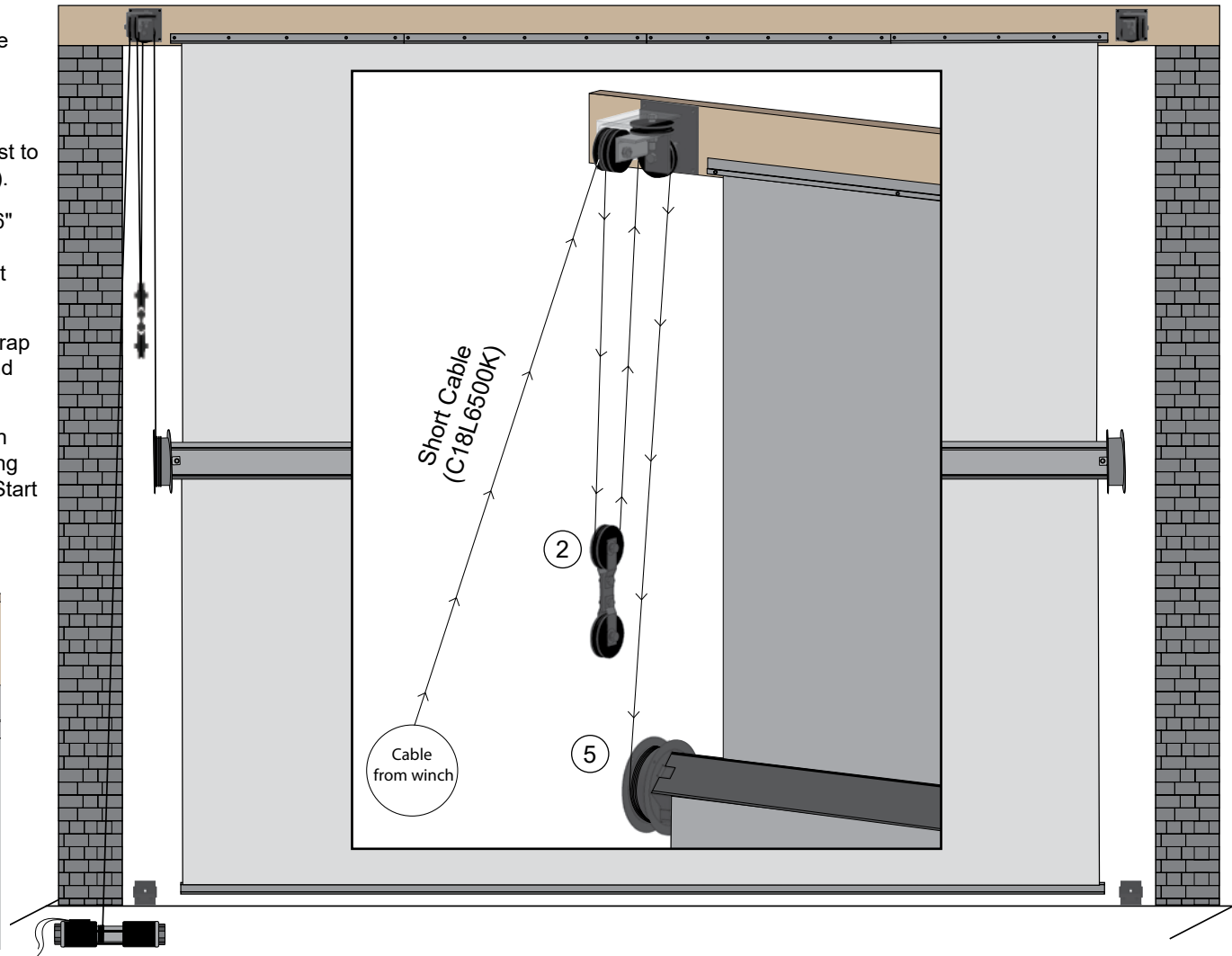
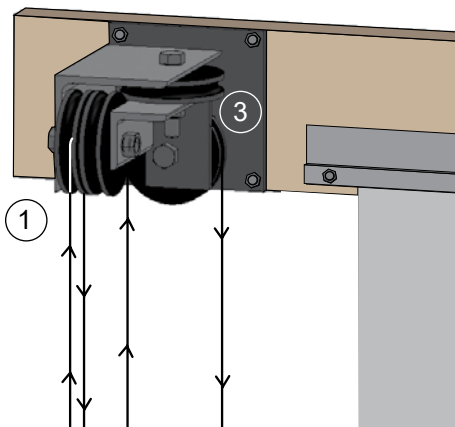
13

SECURE CABLES TO CABLE SPOOLS: Winch Mounted on Left Side of Opening

Use this procedure for room dividers that are **40' wide or wider than 40'**. If your room divider is *less than 40' wide*, return to Procedure 12 and complete those steps to install the cables. Continue with the steps that follow to properly run the cables and install the tensioning system for your room divider. The winch location is on the left side of the opening in the steps that follow. **If winch location is on the right side of the room opening, mirror the installation and routing of the cables.**

Begin by routing and attaching the short cable to the cable spool: #C18L6500K.

1. Take the free end of the short cable (C18L6500K) and thread it over the top of the outer pulley.
2. Add one tensioning pulley assembly.
3. Run cable back up and over the pulley closest to the header (enter left side and exit right side).
4. Position top pulley of tensioning assembly 36" below the bottom of the assembly attached to the header. See diagram in the Quick Start section.
5. Beginning at the center of the cable spool, wrap the cable a minimum of eight (8) times around the front of the spool.
6. Thread the end through the mounting hole on the side of the spool and secure in place using one cable clamp. See diagram in the Quick Start section.



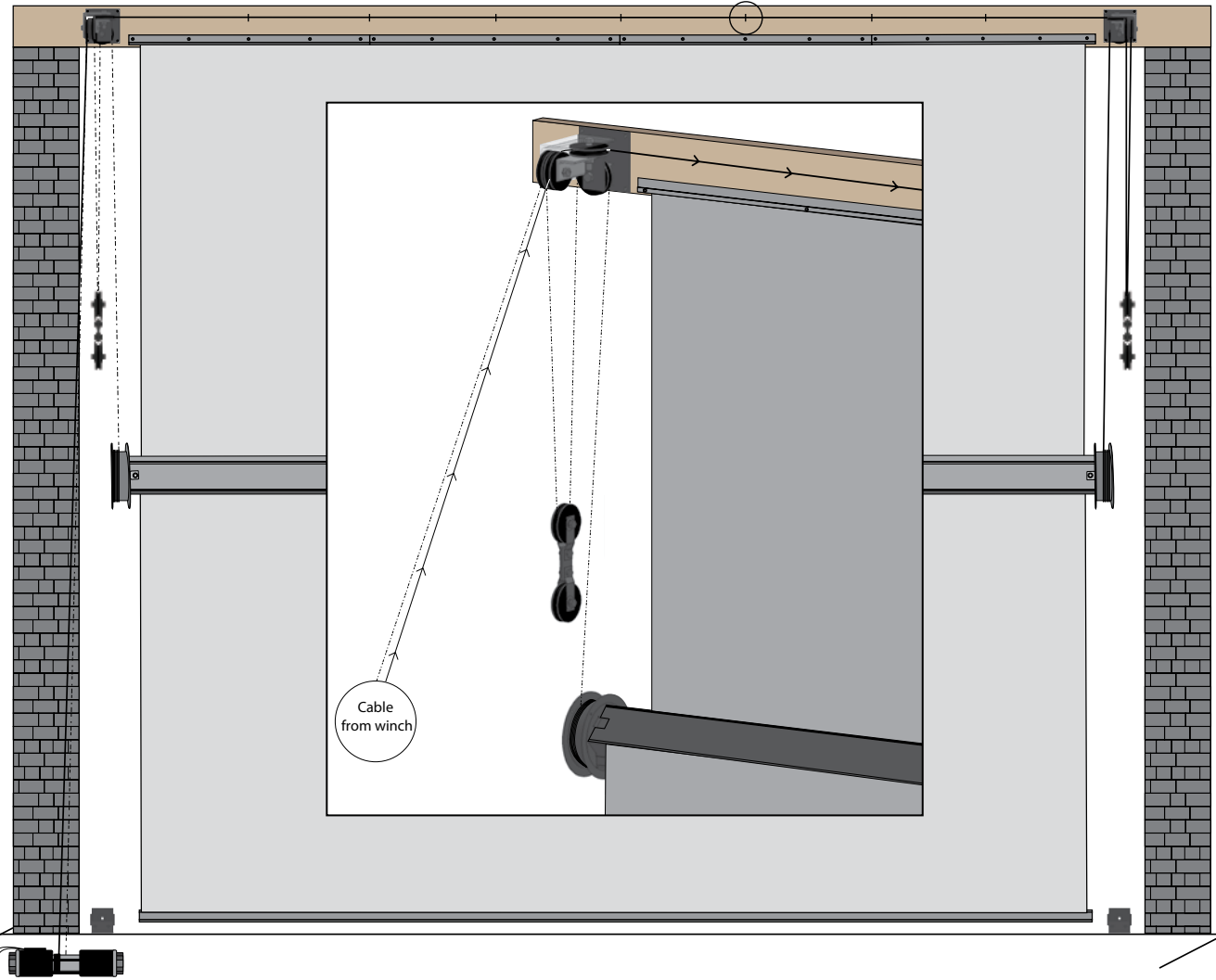
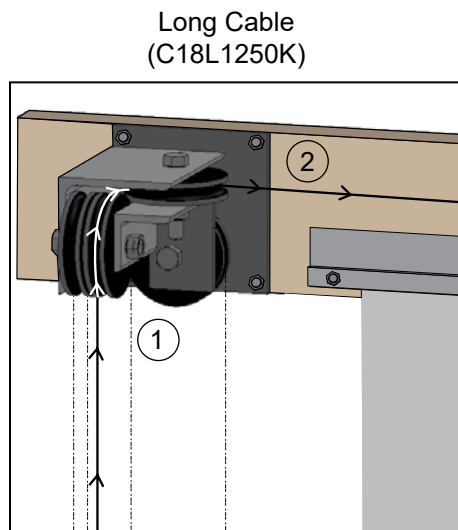
13

SECURE CABLES TO CABLE SPOOLS: Winch Mounted on Left Side of Opening (continued)

Begin by routing and attaching the long cable to the cable spool: #C18L1250K.

1. Take the free end of the long cable (C18L1250K) and thread it over the top of the inside pulley.
2. Continue by wrapping the cable around the left side of the top pulley (enter left and exit right).
3. Run cable through the FA1972 eye screws mounted to the header and toward the 110652 pulley and bracket assembly.

Step 3

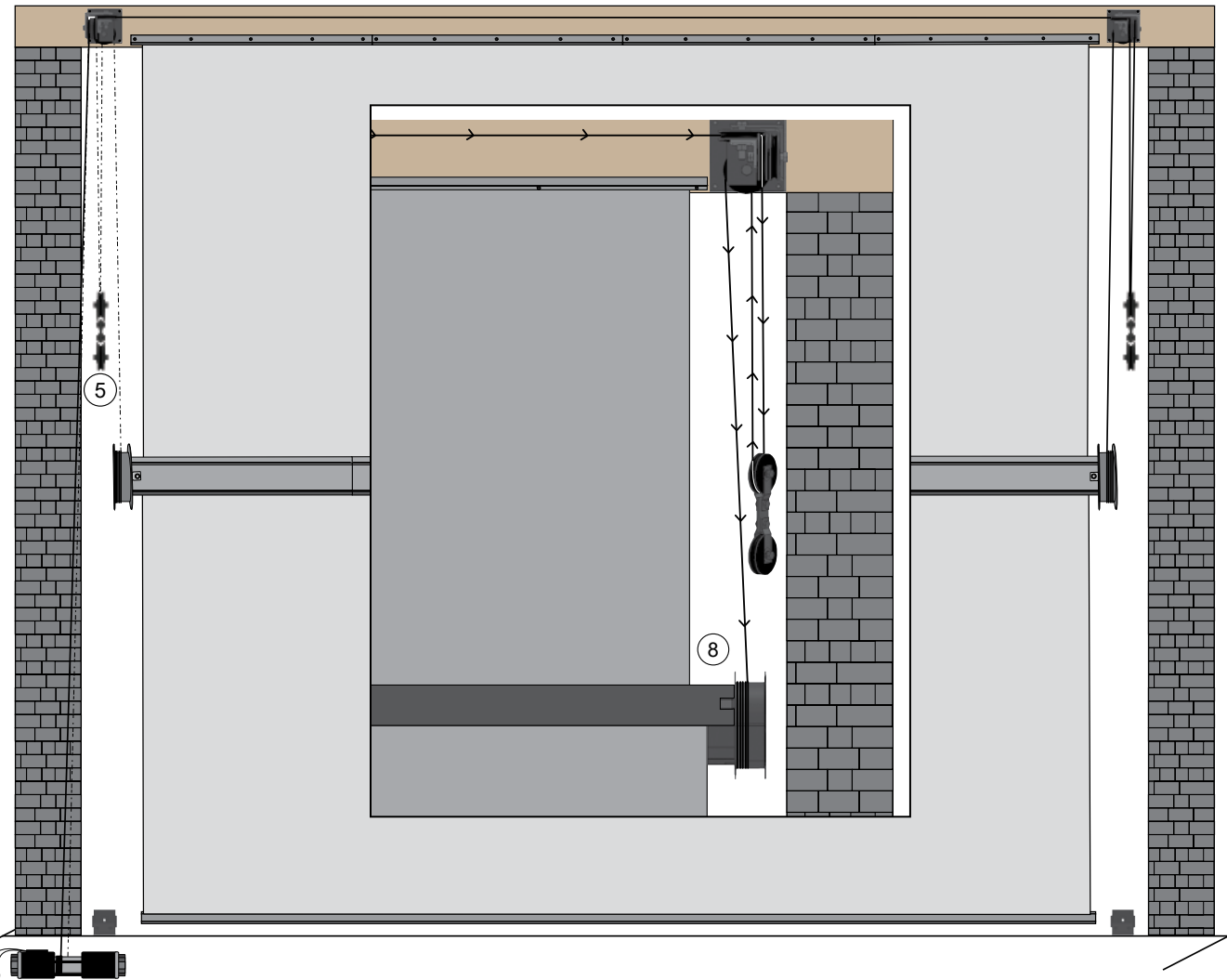
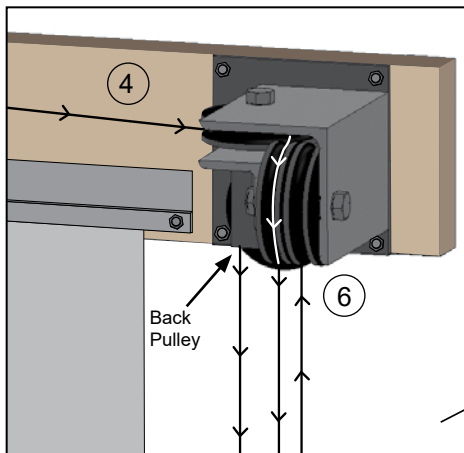


13

SECURE CABLES TO CABLE SPOOLS: Winch Mounted on Left Side of Opening (continued)

Long Cable Installation: #C18L1250K (continued)

4. Route cable around the back of the pulley closest to the header and continue by threading the pulley over the top of the front, left pulley.
5. Add the 110655 tensioning assembly and run the cable back up to the 110652 assembly.
6. Thread cable over back pulley from the right side and out the left (enter right and exit left) and down to the cable spool.
7. Verify that the 110655 tensioning assembly is 36" down from the bottom of the 110652 assembly attached to the header.
8. Beginning at the center of the cable spool, wrap the cable a minimum of eight (8) times around the front of the spool. See the diagrams in the Quick Start section.
9. Thread the end through the mounting hole on the side of the spool and secure in place using one cable clamp. See the diagrams in the Quick Start section.
10. Continue with Procedure 14 to install the tension cables.



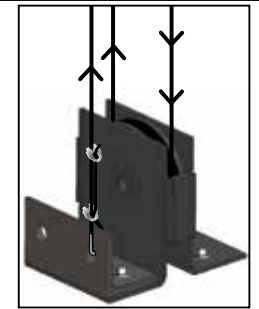
14

INSTALL TENSION CABLES (Right and Left Side Winch Mounting)

The installation steps of the tension cables are the same for both the right side and left side winch mounting options. Use the diagrams on the following pages to install the tensioning cables for the roll-up room divider.

ATTENTION: Section 14 does not apply to dividers that are *less than 40' wide*. **These do not have tensioning cables.**

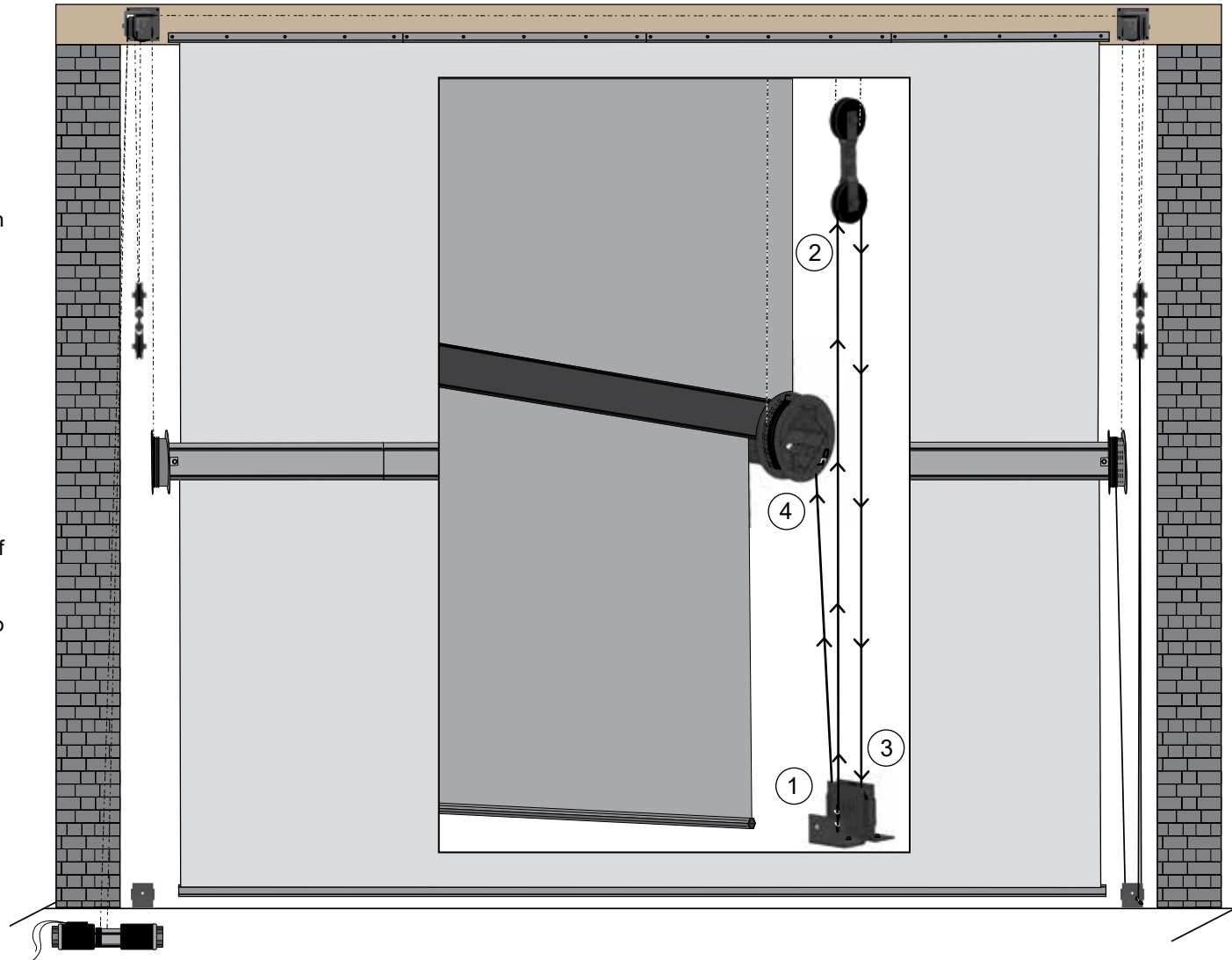
Step 1



1. Take one (1) AR3550 cable section and anchor one end to the 110656 tension cable tie-off bracket using a cable thimble (AS1082) and two (2) AS1026 cable clamps as shown in the diagram.

NOTE: Use the mounting hole in the 110656 bracket that is farthest from the curtain.

2. Thread the free end of the cable through the lower pulley of the tensioning bracket (110655) from the front and back down to the 109837 single pulley mounted to the floor.
3. Thread cable through 109837 pulley **from the right and out the left**.
4. Pull cable through pulleys and back up to the cable spool mounted on the curtain axle.
5. Wrap the cable around the cable spool eight (8) times beginning at the center of the spool and working outward toward the curtain. Verify that the cable is wrapped around the spool as shown. Do not allow cable to buildup on the other cable.
6. Finally, feed the end through the mounting hole in the side of the spool and secure the cable to the spool using a cable clamp.
7. Continue by installing the remaining tension cable.



14

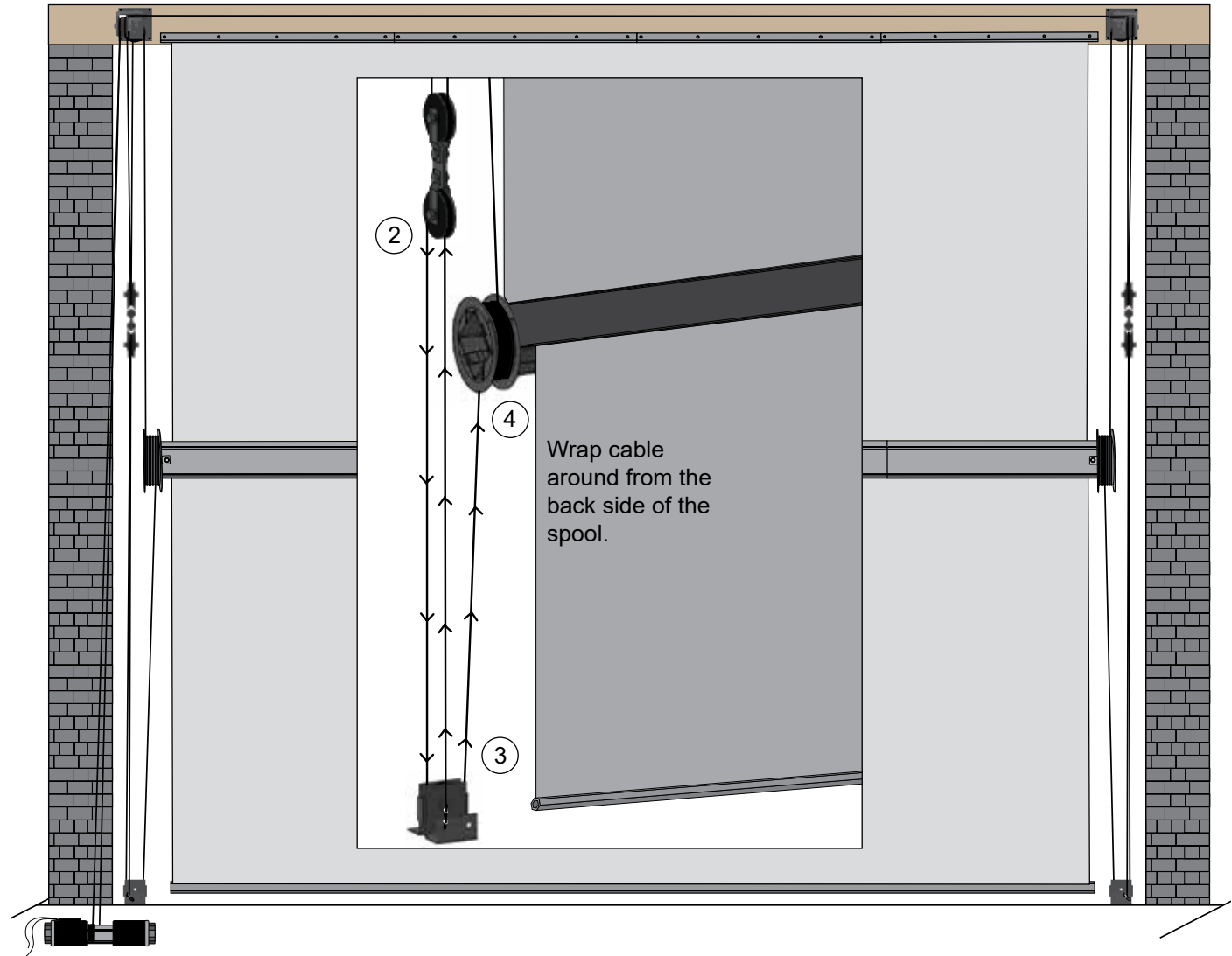
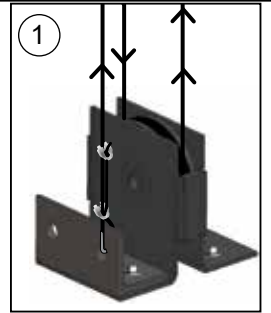
INSTALL TENSION CABLES (Right and Left Side Winch Mounting)

Install the final tension cable. Remember: Section 14 does not apply to dividers that are *less than 40' wide*. **These do not have tensioning cables.**

1. Take the last AR3550 cable section and anchor one end to the 110656 tension cable tie-off bracket using a cable thimble (AS1082) and two (2) AS1026 cable clamps as shown in the diagram.

NOTE: Use the mounting hole in the 110656 bracket that is farthest from the curtain.

2. Thread the free end of the cable through the lower pulley of the tensioning bracket (110655) from the front and back down to the 109837 single pulley mounted to the floor.
3. Thread cable through 109837 pulley **from the left and out the right**.
4. Pull cable through pulleys and back up to the cable spool mounted on the curtain axle.
5. Wrap the cable around the cable spool eight (8) times beginning at the center of the spool and working outward toward the curtain. Verify that the cable is wrapped around the spool as shown. Do not allow cable to buildup on the other cable.
6. Finally, feed the end through the mounting hole in the side of the spool and secure the cable to the spool using a cable clamp.
7. Continue by completing the checklist in Procedure 15.



15

FINAL CHECK BEFORE OPERATION

Check the following *before operating the room divider*.

Before operating the room divider, complete the following checklist items:

- Return to all pulleys and verify that each cable is seated properly in each pulley.
- Verify that the cables from the winch *wrap around the front* of each cable spool attached to the main curtain axle.
- Verify that both tension cables *wrap around the back* of each cable spool.
- Ensure that the separate cables do not wrap over each other on the cable spools.
- Check the dimension from the top of the tensioning pulley assembly (110655) to the bottom of the 110651 or 110652 attached to the header at each end of the room divider. **Dimension should be 36" when the curtain is closed/down. See diagram in the Quick Start section.**
- Verify that all cables are correctly installed. Trace the path of each and compare to the diagrams in this guide.

WARNING! To prevent possible injury and component damage, **do not operate room divider if cables are incorrectly installed.**

- Clear all objects away from the room divider. **Never stand beneath the room divider during operation or when the divider is in the open position.**
- Check all cable clamps to verify they are tight and properly installed.
- Connect power to the winch (if electric winch is used).

ROOM DIVIDER OPERATION

After the final check is complete, test the operation of the room divider. Room divider should open smoothly and evenly.

If opener fails to open the curtain evenly or it appears the components are under tension, **stop the winch immediately** and retrace cable routing to ensure all cables are installed and routed correctly.

DIAGRAM BELOW: DIVIDER IS LESS THAN 40' WIDE.

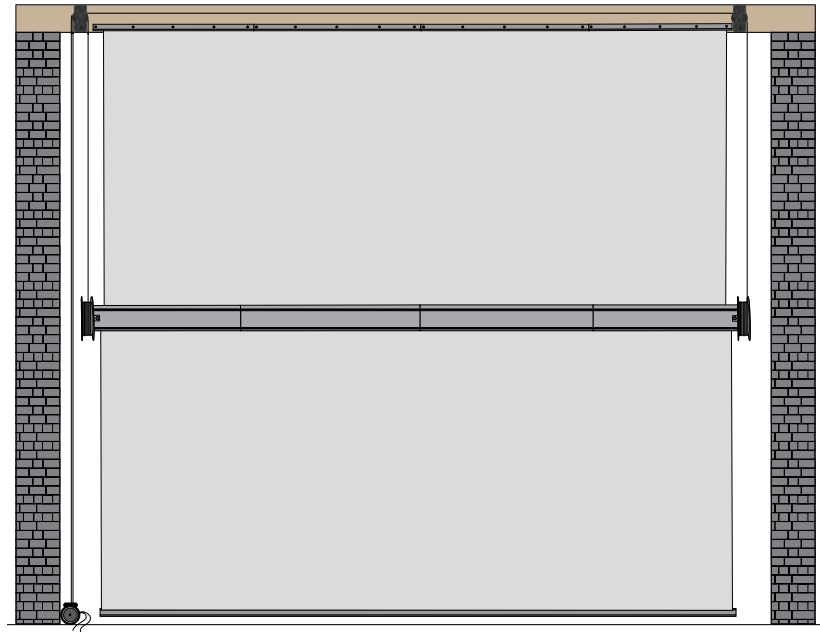
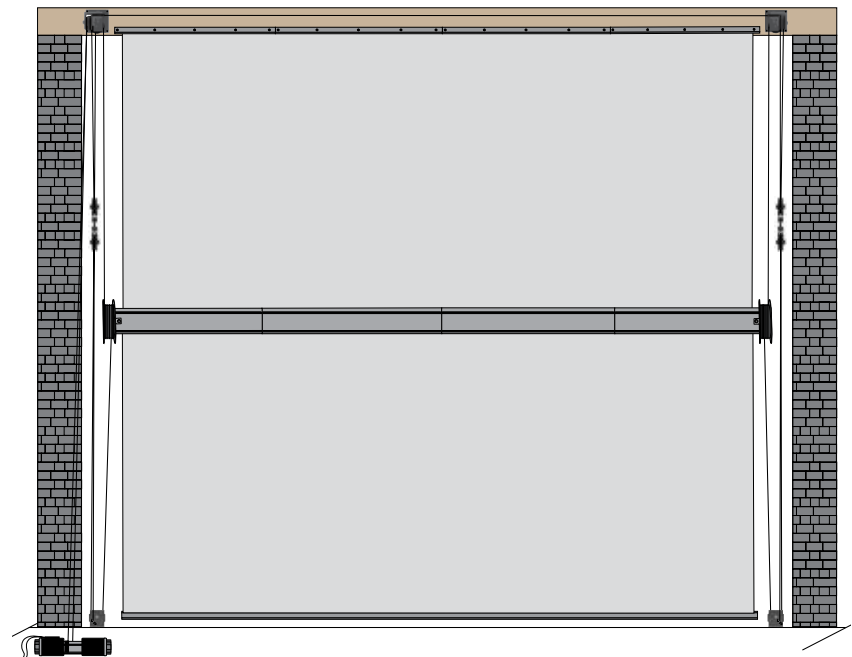


DIAGRAM BELOW: DIVIDER IS 40' WIDE OR WIDER THAN 40'.



Quick Start Guide

Quick Start Guide

The diagrams shown in this section describe typical curtain applications. These examples are presented to give the customer additional details regarding the installation and use of the roll-up curtain room divider components. The examples may or may not apply directly to the customer's application.

The customer is responsible to use the diagrams to the extent that they help with the assembly of the actual curtain system that has been purchased.



Roll-Up Curtain Room Divider

Winch—Electric or Manual: The suggested winch locations shown throughout this guide pertain to both winch types—manual and electric. Consult all documentation included with each winch for installation details and precautions.

Critical Dimensions Diagram: All Room Dividers

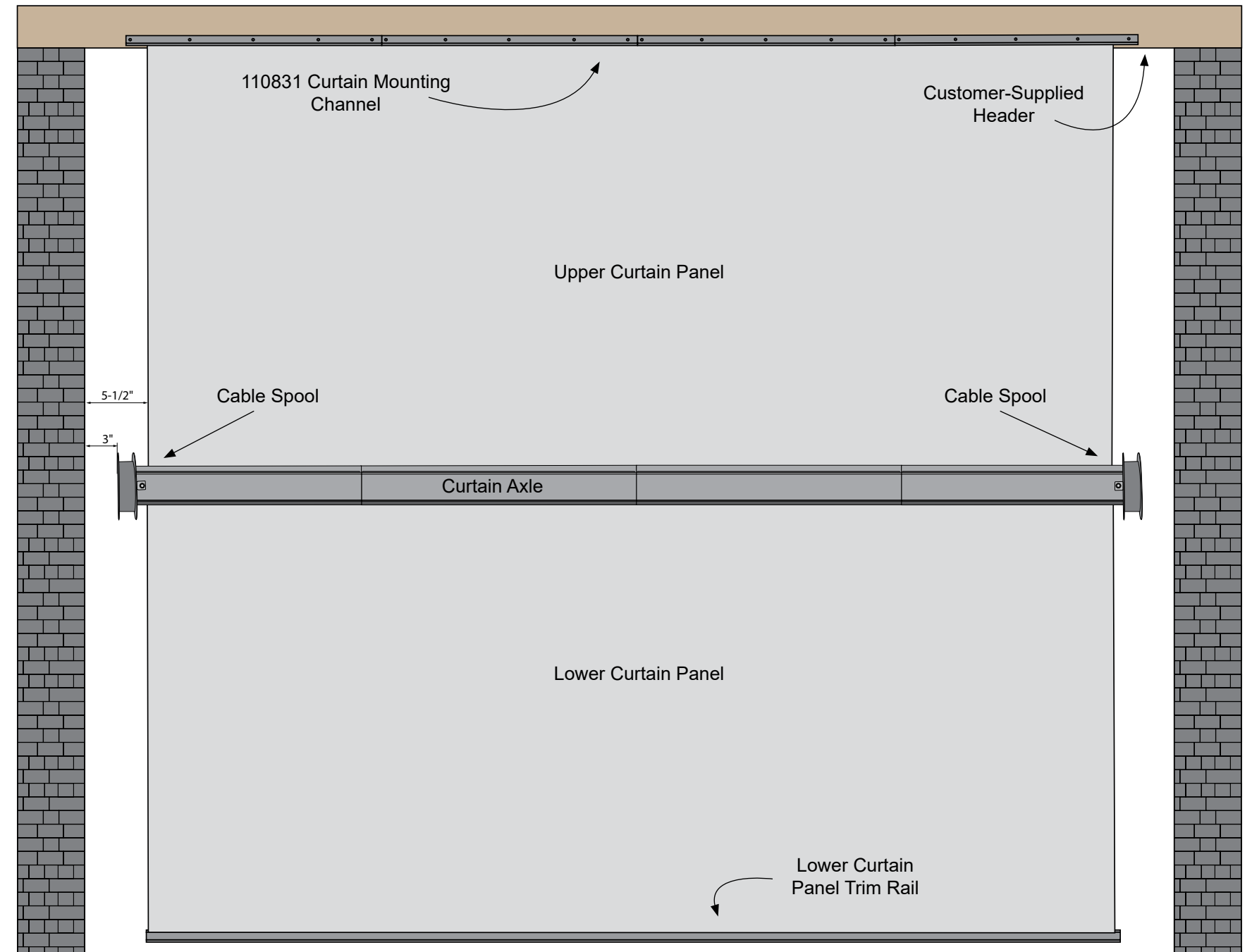
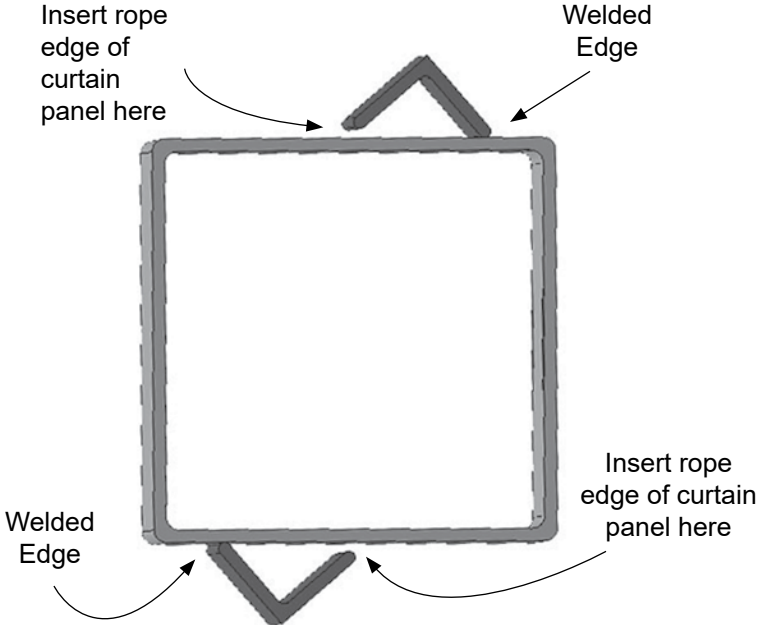
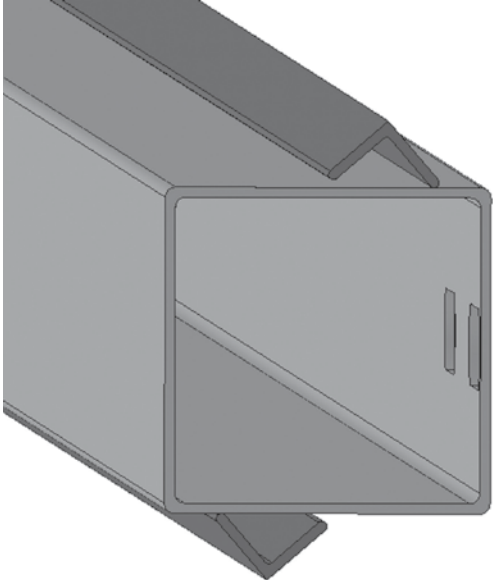


Diagram shows front of curtain.

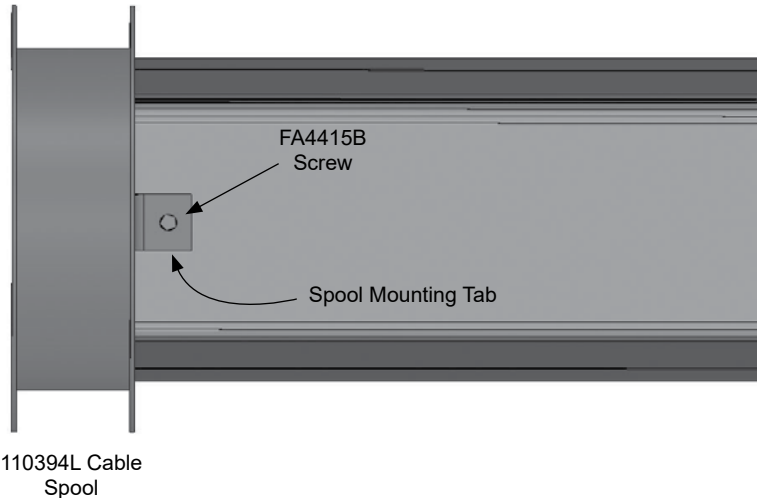
Details: All Room Dividers



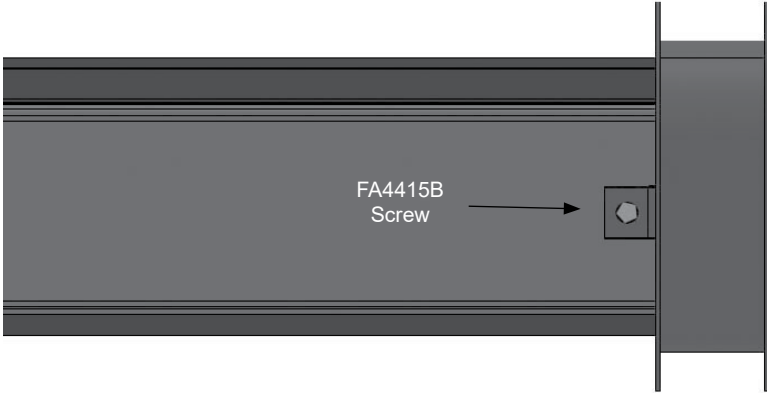
End view of a curtain axle roll bar section (110396).



Angled view of a curtain axle roll bar section (110396).



Front (above) and back (below) views of the mounted cable spool (left end) showing the positions of the FA4415B Tek screws.



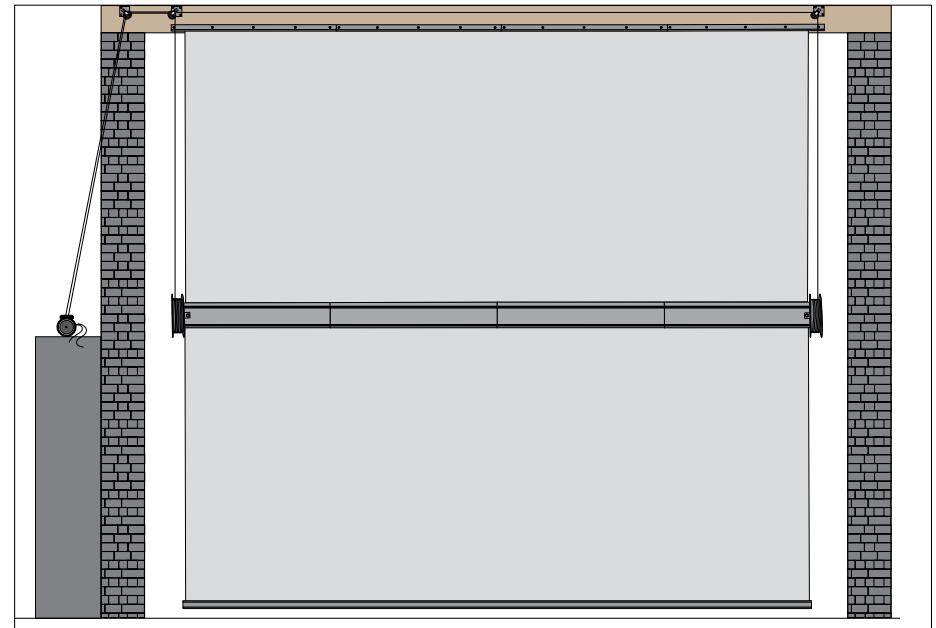
Winch Mounting Suggestions: Divider is Less than 40' Wide.

POSSIBLE WINCH LOCATIONS: *Divider is less than 40' wide.*

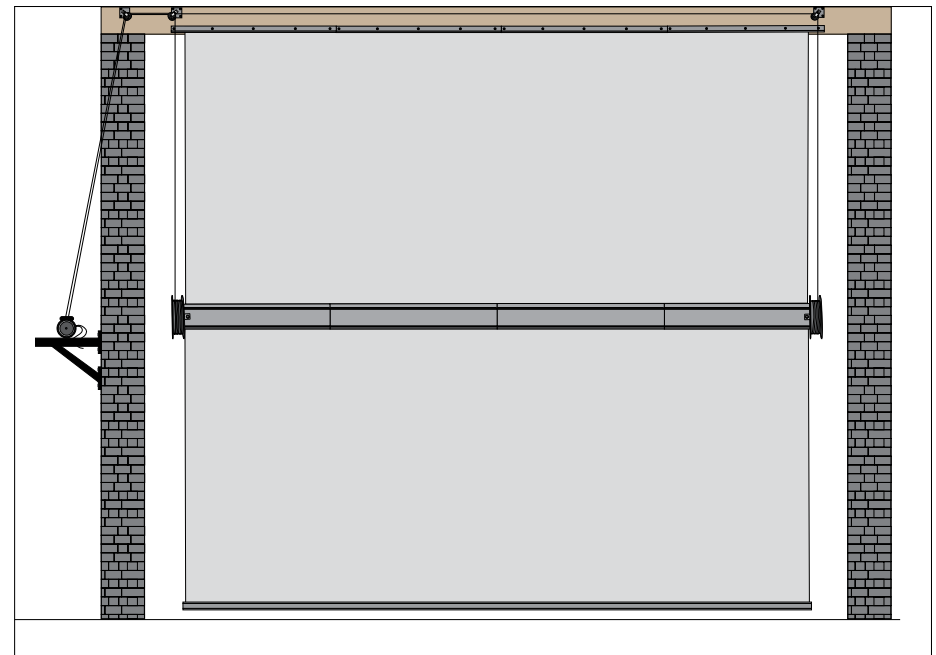
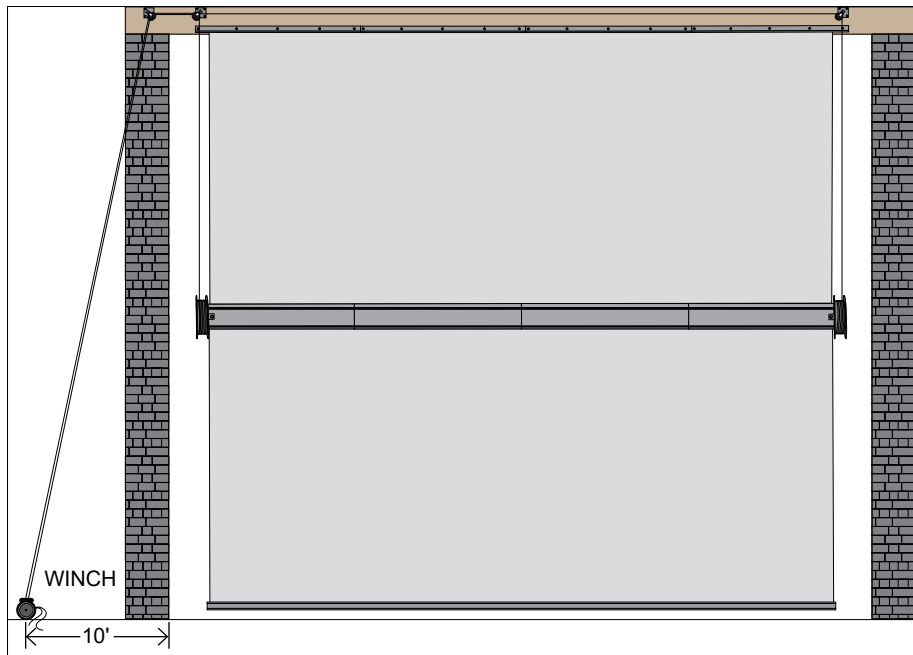
In some instances, the winch location shown in the example throughout this manual is not the best for your room divider. Here are a few alternate locations. Things to consider when installing your winch:

- Traffic patterns around the room divider
- Frequency of room divider operation
- Available space
- Winch Install: Maximum distance of winch from bottom of opening at ground level is 10'. See the diagram below.
- Dimensions of the opening and roll-up curtain assembly
- Available cable length. Always measure the cable included with your room divider. Cables cannot be spliced! Mount winch in a location that works best with the cable lengths and curtain included with your room divider.

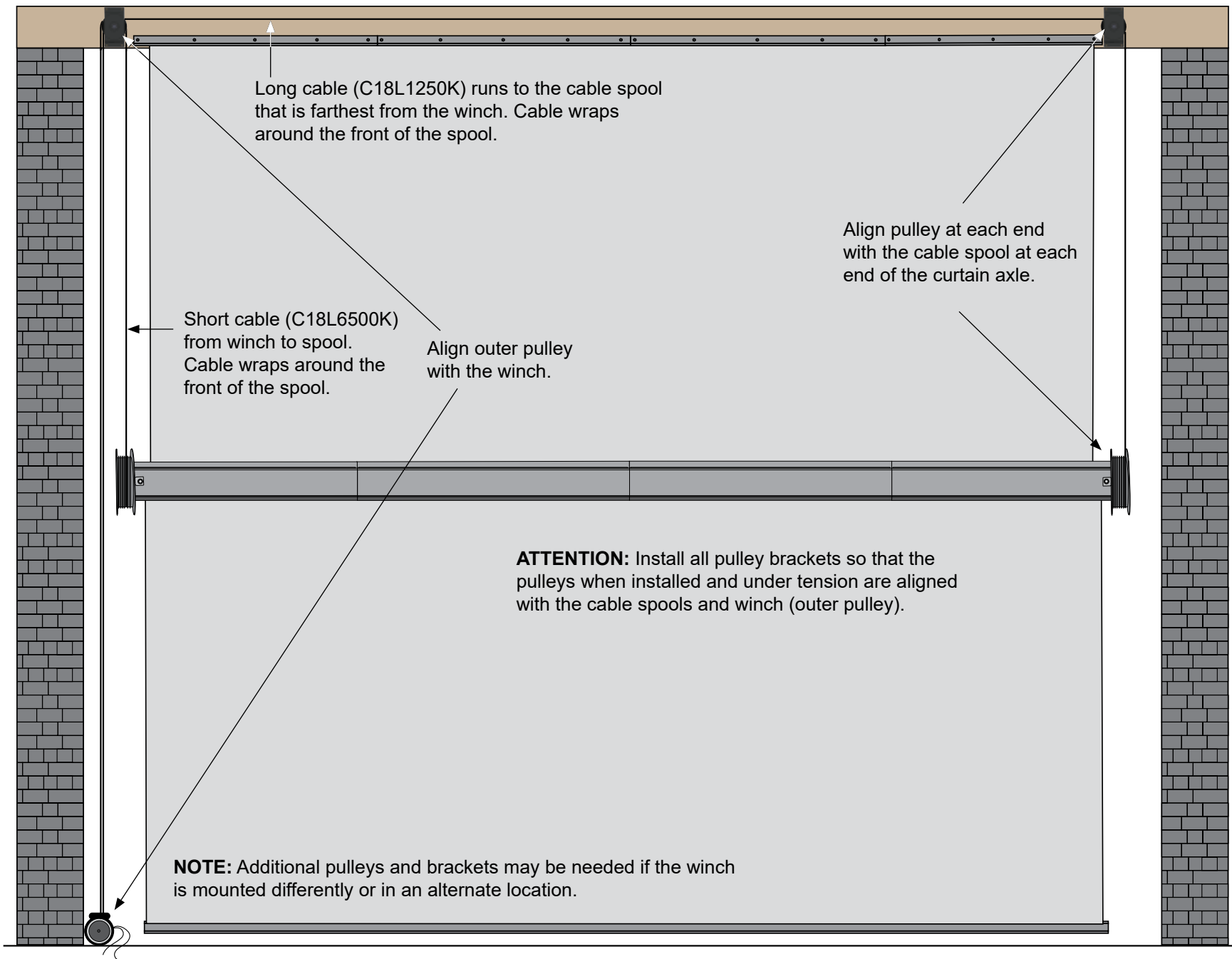
⚠ CAUTION: Winch includes exposed moving parts and cable. Do not install in an area where people or livestock can contact the components! If possible, construct a shield or border to protect occupants. NEVER BYPASS THE MANUAL WINCH SWITCH!



ATTENTION: EXAMPLES ON THIS PAGE DO NOT APPLY TO ROOM DIVIDERS THAT ARE 40' WIDE OR WIDER THAN 40'.



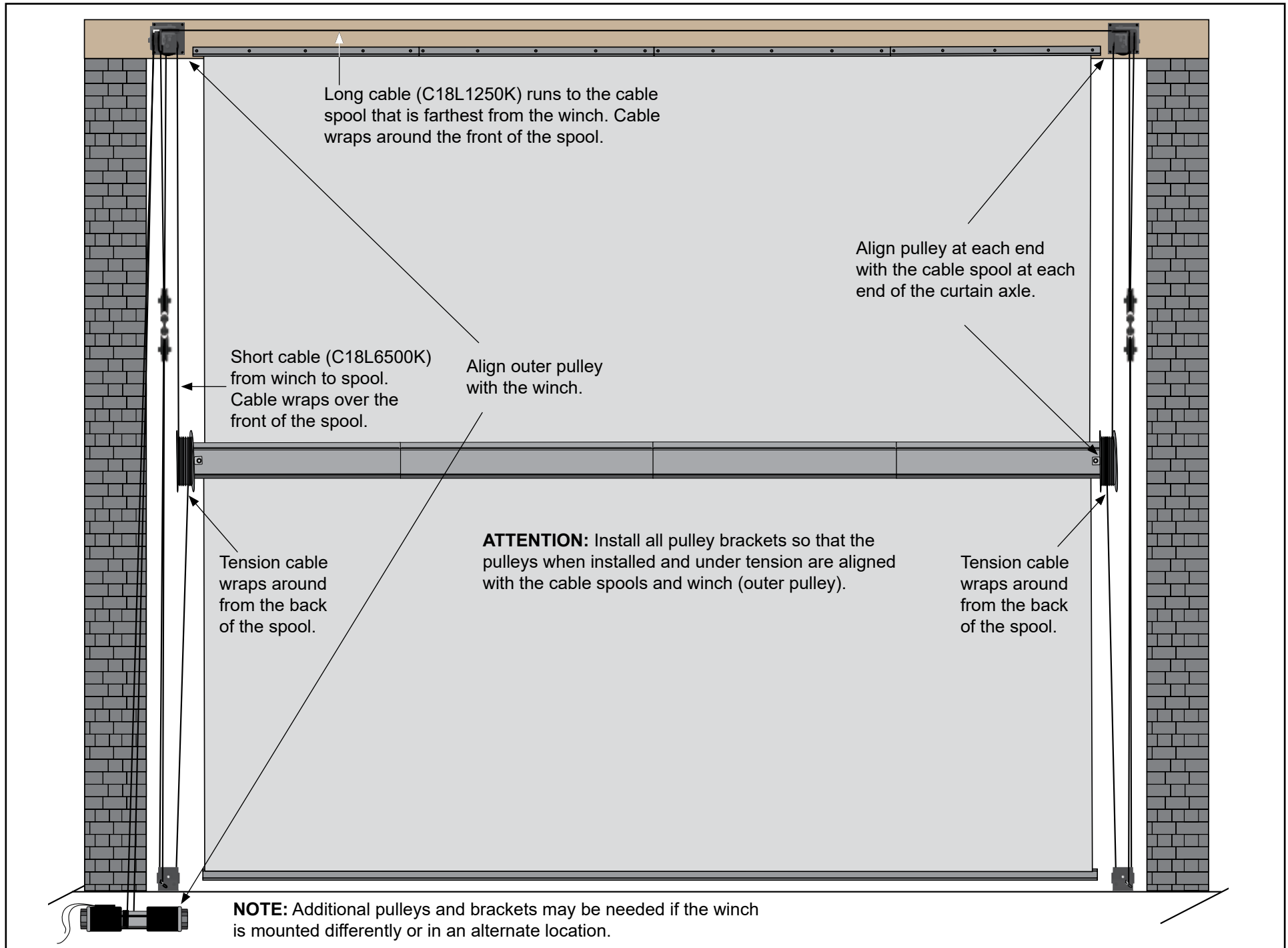
Pulley Location Diagram: Divider is Less Than 40' Wide.



ATTENTION: Install all pulley brackets so that the pulleys when installed and under tension are aligned with the cable spools and winch (outer pulley).

NOTE: Additional pulleys and brackets may be needed if the winch is mounted differently or in an alternate location.

Pulley Location Diagram: Divider is 40' Wide or Wider than 40'.



Additional Diagrams: Divider is 40' Wide or Wider than 40'.

Distance from the bottom of the pulley assembly to the top pulley of the tensioning bracket (110655) is 36"

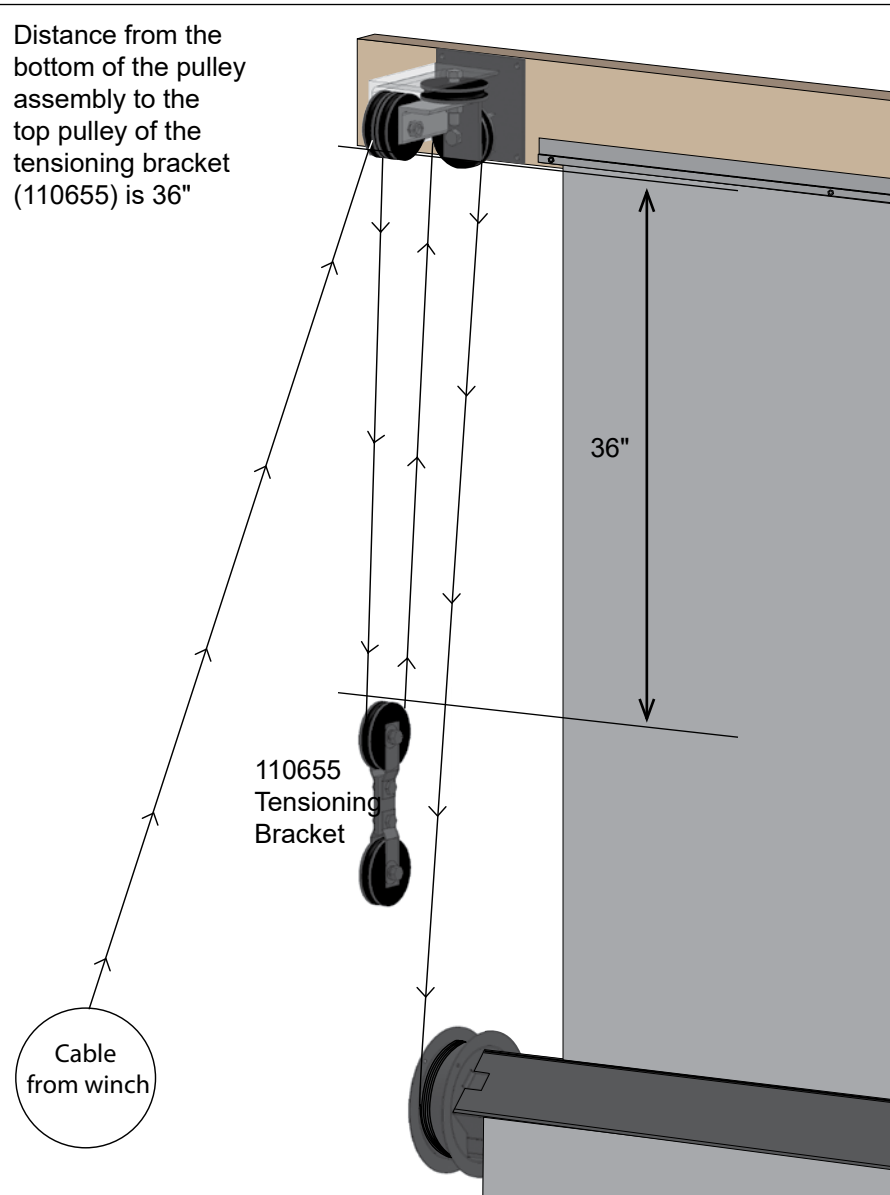


Photo shows how to secure a cable to the cable spool. Main cable is shown in the photo. The spool position for your curtain is flush to the end of the roll bar as previously installed. The photo (above) is included to show how to wrap and secure the cable to the spool. **Design and spool position may differ slightly from actual roll bar for your divider.**

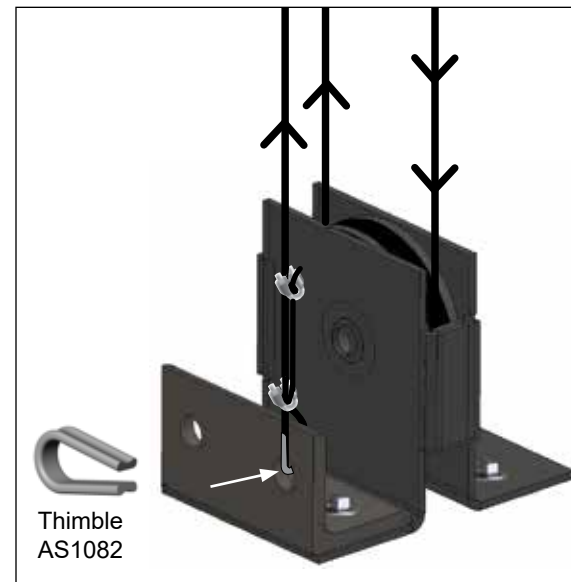


Diagram above shows how to secure the cable to the 110656 bracket using a thimble and two cable clamps.