

105134 Sliding Door Kit



READ THIS DOCUMENT BEFORE YOU BEGIN

Thank you for purchasing this GrowSpan™ door kit. When properly assembled and maintained, this product will provide years of reliable service. These instructions include helpful hints and important information needed to safely assemble and properly maintain the doors. Please read these instructions **before** you begin.

SAFETY PRECAUTIONS

- Wear eye protection.
- Wear head protection.
- Use a portable GFCI (Ground Fault Circuit Interrupter) when working with power tools and cords.

⚠ WARNING: The individuals assembling these doors are responsible for designing and furnishing all temporary bracing, shoring and support needed during the assembly process.

For safety reasons, those who are not familiar with recognized construction methods and techniques must seek the help of a qualified contractor.

FASTENERS

Fasteners are included to secure door components to metal frame members. If the building frame and cladding are not metal, purchase the appropriate fasteners locally, or call customer service for suggestions.

⚠ WARNING: Cancer and Reproductive Toxicity - P65Warnings.ca.gov

REQUIRED TOOLS

The following list identifies the main tools needed to assemble the doors. *Additional tools and supports may be needed depending on the structure, location, and application.*

- Tape measure or measuring device
- Fine point marker to mark the location frame members.
- Variable speed drill (cordless with extra batteries works the best)
- Drill bit set with 7/16" and 1/2" drill
- Hammers, gloves, and eye protection
- Ladders, work platforms, and other machinery for lifting designed to work safely at the height of the door and door frame.

ATTENTION: Consult the services of a qualified, professional contractor if you are not familiar with the construction of similar frame structures and components.

UNPACK AND IDENTIFY PARTS

The following steps will ensure that you have all the necessary parts *before* you begin.

1. Unpack the contents of the shipment and place where you can easily inventory the parts. Refer to the Bill of Materials/Spec Sheets.
2. Verify that all parts listed on the Bill of Materials/Spec Sheets are present. If anything is missing or you have questions, consult the parts guide and all diagrams for clarification, or contact customer service.

CARE AND MAINTENANCE

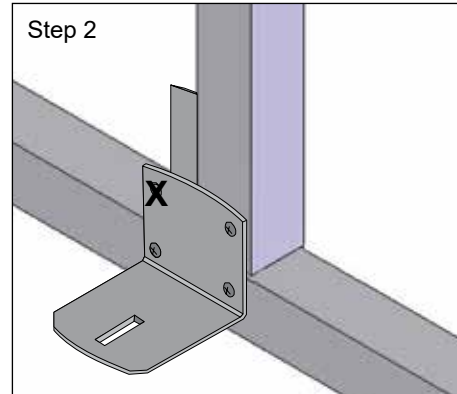
Proper care and maintenance of the doors is important. Check the following items periodically to properly maintain the doors and door frame:

- Regularly check the polycarbonate panels to see that they remain secure and in good condition. Replace damaged panels if needed.
- Check connections and all fasteners to verify that they remain tight.
- Check the contents of the shelter to verify that nothing is touching the polycarbonate panels that could cause damage or interfere with the door operation.
- **Do not leave the doors ajar. Close doors and secure with latch or prop doors open to avoid personal injury or damage to the doors.**
- For replacement or missing parts, contact you sales representative for assistance.

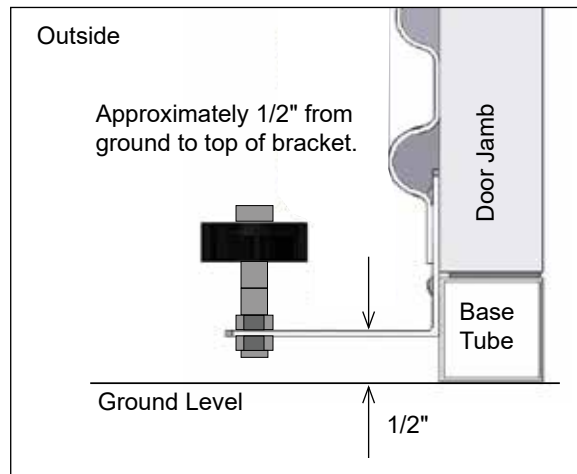
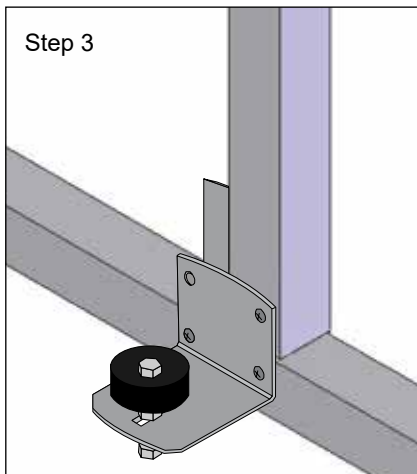
Attach Stay Rollers to End Wall

INSTALL SLIDING DOOR STAY ROLLER

1. Locate the 100356 stay roller box and remove the bracket, roller, bushings, bolt, and nuts from package.
2. Looking at the rough door opening of the assembled end wall, secure the stay roller bracket in the *lower-left corner of the door opening* as shown below. Use 115581 pancake head screws. Drive screws using the 100448 square bit driver. Hole marked with an X is not used.



Door Opening



Step 4

Base Tube

3. Attach the roller and related parts to the angled bracket attached to the end wall frame.

NOTE: Do not tighten the roller assembly nuts at this time. Roller is adjusted and tightened after door is installed.

4. Repeat the steps to attach the remaining roller assembly to the lower-right corner of the rough door opening. View is from outside the frame.
5. Continue with the next procedure.

Assemble Sliding Doors Overview

ASSEMBLE AND INSTALL SLIDING DOORS — OVERVIEW

The general steps to install the sliding doors are as follows:

1. Assemble the 102923 door frames.
2. Attach bearing hangers to the door frames.
3. Attach the sliding door track to the end wall.
4. Hang the sliding doors in the door track and adjust sliding doors as needed.
5. Attach corrugated polycarbonate panels and closure strips to door frames.
6. Install aluminum profile (104548) along door frame of end wall to finish the ends of the corrugated end wall panels.
7. Attach door handles and reinstall doors (if these were removed to install cladding).
8. Install Tek screws (FA4482B) through track to prevent door(s) from sliding out of the track.

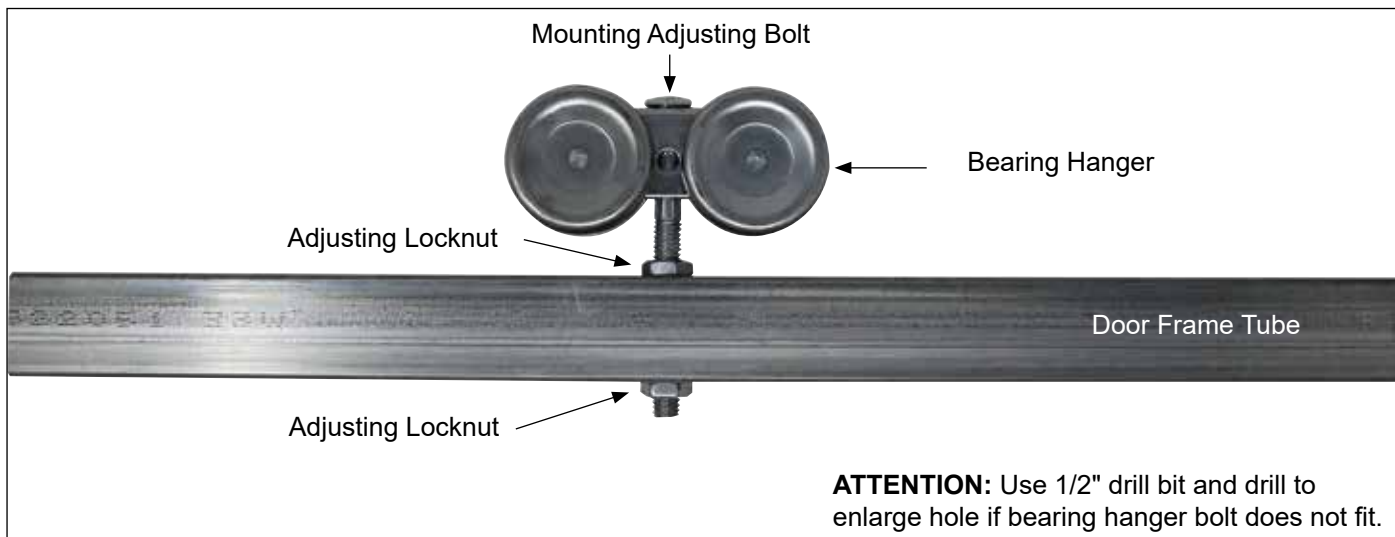
ATTACH ROLLER ASSEMBLIES TO DOOR FRAMES

Complete the following steps to attach bearing hangers to the door frames.

1. Assemble 102923 door frames.
2. Locate and unpack the 116391 bearing hangers. Each door requires two bearing hangers.
3. Insert mounting bolt through top of roller bearing and add one adjusting locknut.
4. Insert end of mounting bolt through mounting hole in top of door frame and add the remaining adjusting locknut.

NOTE: Use 1/2" drill bit and drill to enlarge hole if bearing hanger bolt does not fit.

5. Repeat to attach remaining hanger to door frame.
6. Repeat steps to attach bearing hangers to remaining door frame.
7. Continue with next procedure.



ATTENTION: Use 1/2" drill bit and drill to enlarge hole if bearing hanger bolt does not fit.

Attach Door Track to End Wall

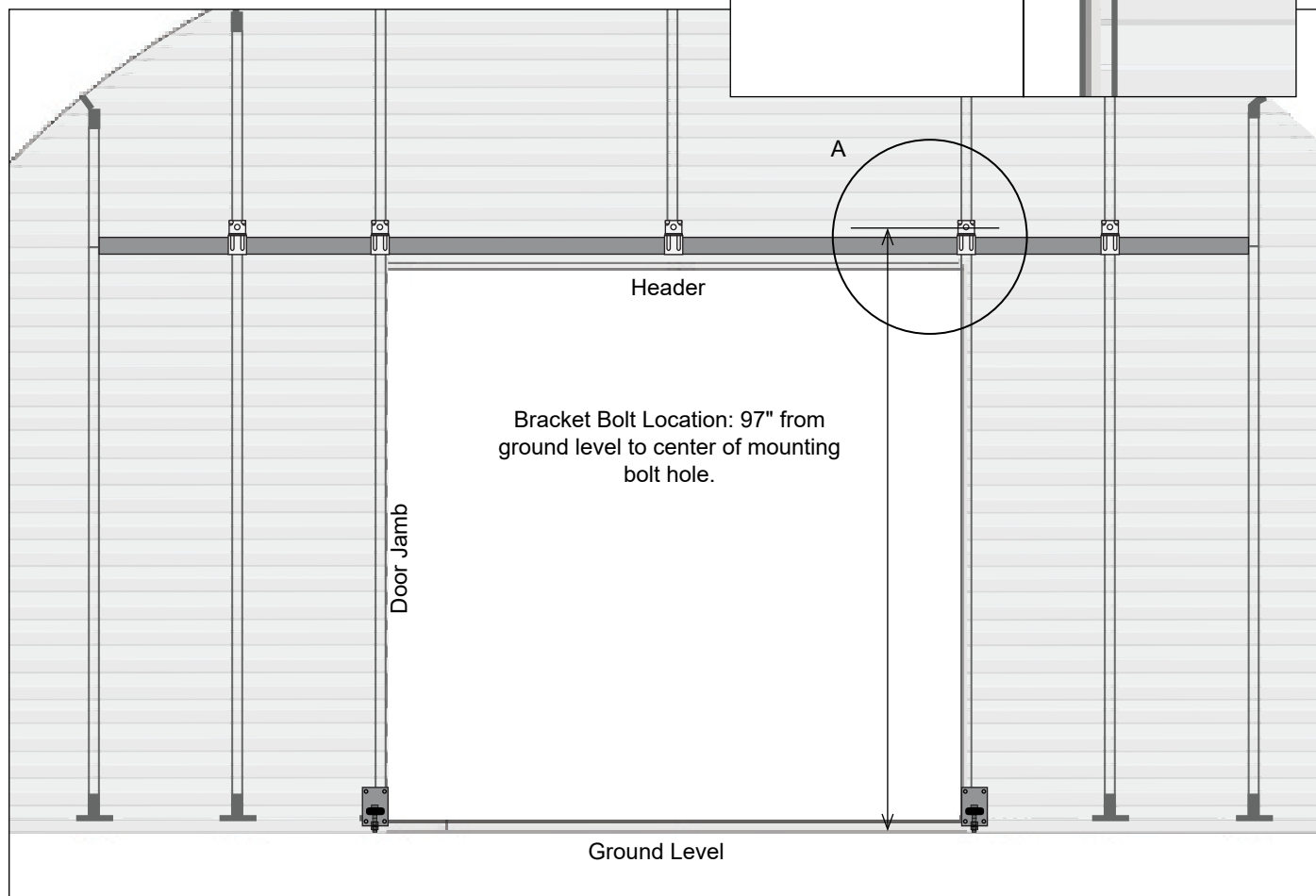
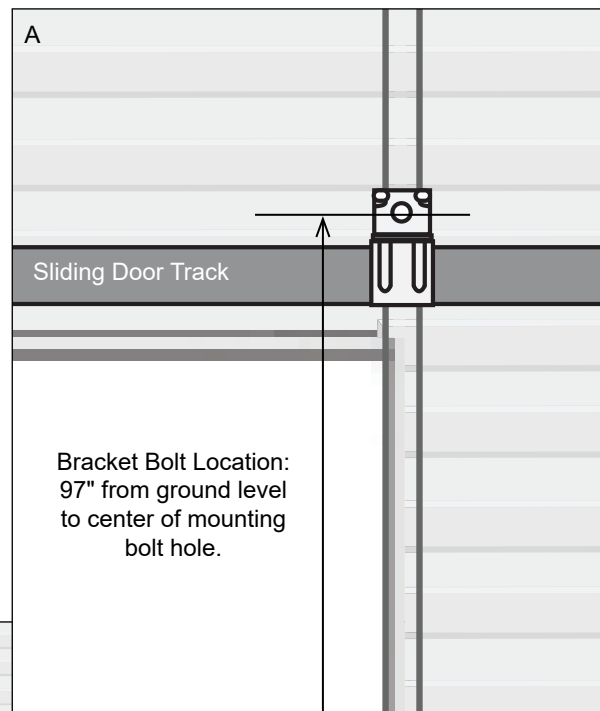
ATTACH SLIDING DOOR TRACK TO END WALL

Complete these steps:

1. Using the diagram below, mark the bracket bolt locations for the 100380 track brackets.

NOTE: Brackets to be level across the end frame. Use a straight edge and long level when marking bolt hole locations for the track brackets. **Before drilling holes, measure the door and bearing hangers to confirm that door will fit between stay roller at the bottom and track at the top once track is installed.** Adjustment for door is limited by the bearing hanger adjustment bolt.

IMPORTANT: Dimension is approximate. **Actual position of door track may differ.** Measure all components to determine the exact position of sliding door track and related brackets before drilling holes.



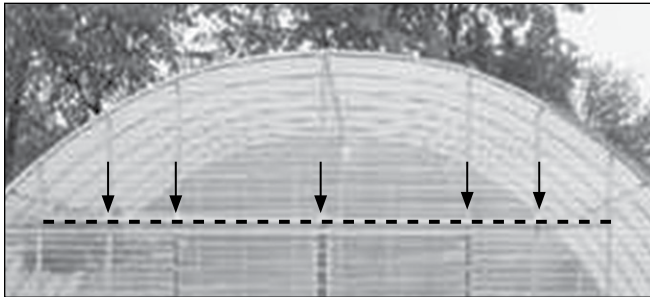
2. After confirming and marking hole locations, attach track brackets and tracks as described in the next procedure.

Attach Door Track to End Wall — continued

INSTALL SLIDING DOORS

Complete the following steps to attach the sliding door track brackets to the end wall frame.

1. Locate the 3/8" x 4" carriage bolts (FAH377B) and related 3/8" nuts and washers (FAME18B, FAMA38B, & FALB34B) used to secure the track brackets to the end wall framing.
2. Drill a 7/16" hole through the corrugated polycarbonate panel and through the vertical end wall frame at each hole location.



ATTENTION: The holes must be level to ensure track is level.

3. Insert a 3/8" carriage bolts through a hole **from inside the building** and tap it with a small hammer to set it tight against the end wall frame member.

NOTE: If needed, drill hole on inside of frame to 1/2" if you are unable to seat bolt head tight to frame tube.

4. Repeat the steps to install the remaining sliding track mounting bolts.



ATTENTION: Install a flat washer (FAME18B), lock washer (FAMA38B), and nut (FALB34B) to secure the mounting bolt to the end wall frame.

5. After tightening the mounting bolts, slide three (3) track mounting brackets onto one door track (100377).
6. With assistance, lift track and align brackets with the mounting bolts. Slide brackets onto bolts and add a lock washer (FAMA38B) and nut (FALB34B) to secure in place. **Do not tighten at this time.**



Step 5



Step 6

7. Repeat steps as needed to install remaining track.



NOTE: The center bracket supports the end of each door track. Bracket will cover the joint where the separate track sections meet above door opening.

8. Return to and tighten all 3/8" nuts to secure all brackets.
9. Continue with the next procedure.

Install and Adjust Sliding Doors

INSTALL AND ADJUST SLIDING DOORS

Complete these steps:

1. With assistance, carefully lift one door into position and slide bearing hangers into the end of the door track.
2. Slide door to center of opening to its closed position.
3. Repeat to install the remaining door.
4. Adjust the nuts on each bearing hanger to achieve the desired fit.

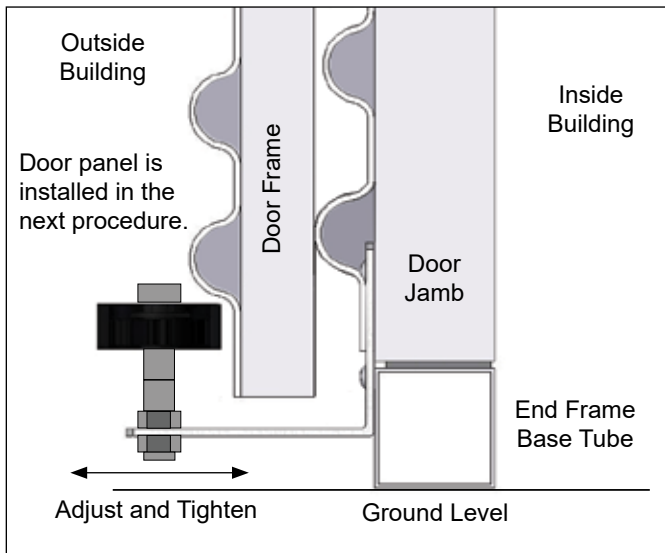


Space below is reserved for customer notes.



ATTENTION: Doors will hang level and close tightly—no gap where doors meet—when properly adjusted. Doors should glide freely through the stay rollers. Adjust as needed.

5. Tighten nuts to secure bearing hanger adjustment.
6. Adjust the stay rollers as needed.



NOTE: Allow approximately one-quarter inch (1/4") gap between door and roller for best operation. Actual positions of components may differ from diagram.

7. Continue with the next procedure.

Install Door Panels and Handles

INSTALL DOOR PANELS AND HANDLES

Complete these steps:

1. After adjusting doors, attach the corrugated polycarbonate panels to the doors using Tek screws (FA4474) and washers (102921). Space screws at approximately 12" on-center.

ATTENTION: Panels can be installed with the doors hanging from track, or door frames can be removed and set on supports to install cladding and door pulls.

Each door is covered using one 50" x 8' 2" panel.

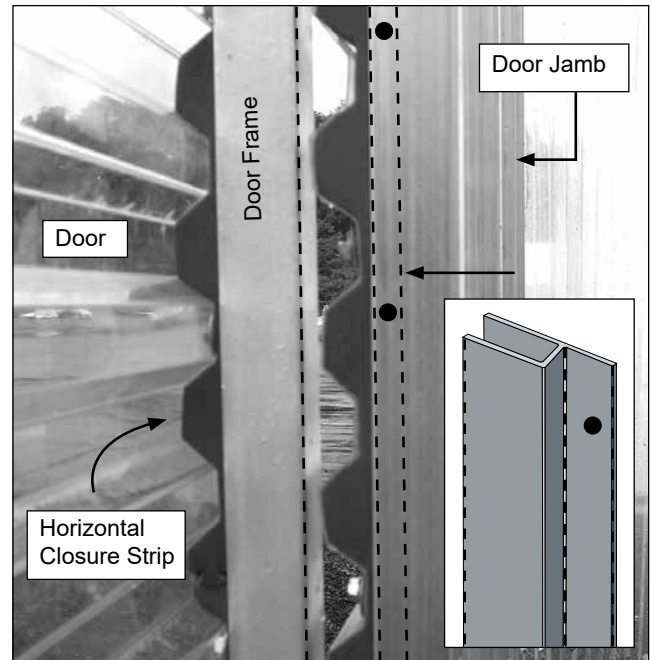


Panel Orientation: For this building, panels are installed with ribs running horizontally to match the end wall cladding. Upper panel overlaps lower panel.

The horizontal closure strips are used under the panels along the edges to seal the corrugated openings. See dashed lines below.

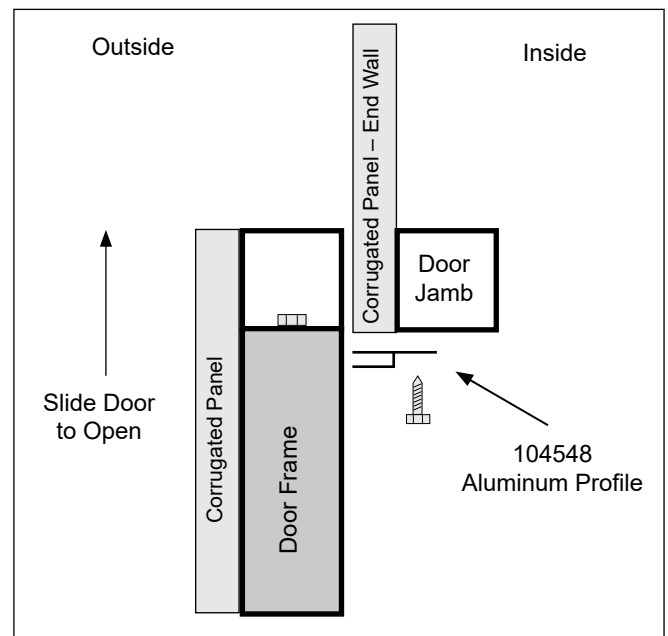


2. After panel installation, slide doors back into the door track (if needed) and install the 104548 profile along end wall door frame as shown in the following photos.



ATTENTION: Use Tek screws to secure the profile to the end wall framing.

Photo above shows end wall without installed profile. Dashed line shows where to install profile to cover the valleys of corrugated end panels. *View is from the inside of the frame looking at the point where the door meets the door frame of the end wall.* See also the top view of same area shown below.



TOP VIEW

Install Door Panels and Handles — continued

INSTALL DOOR PANELS AND HANDLES (continued)

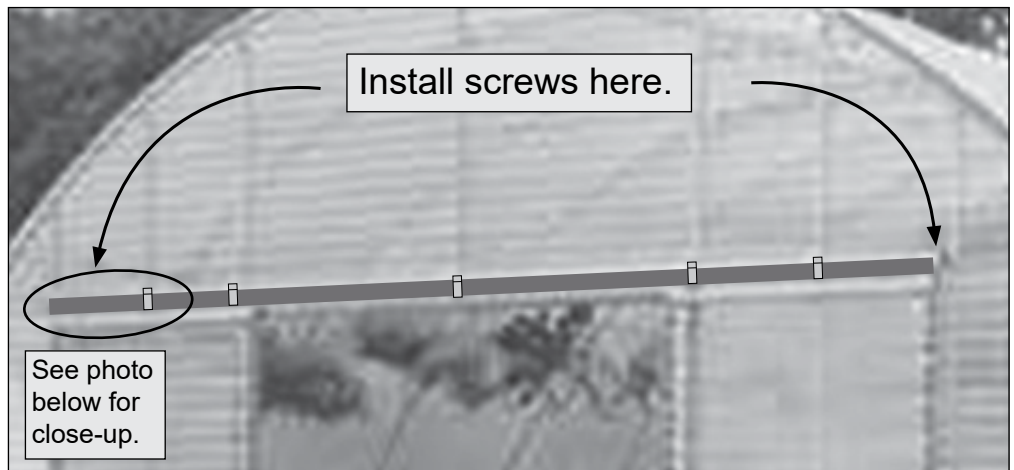
3. Locate the two (2) door handles (100362) and attach these in the desired location using the 115581 pancake head screws.



NOTE: Drive screws through the polycarbonate panel and *into the door frame*. Orient handles either horizontally or vertically in the desired location.

4. Next, slide one door to its open position and install two (2) Tek screws through the door track to prevent the door from sliding out of the track.

NOTE: Arrows above show where to install Tek screws (two at each end) used as door stops. **Install screws through face of the door track at each end.**



5. Return to the door track mounting bolts and cut bolts to length if desired. (This is an optional step.)
6. Continue by reading the care and maintenance information below.



SHELTER CARE AND MAINTENANCE

Proper care and maintenance important. Check the following items periodically to properly maintain the shelter:

- Regularly check the polycarbonate panels to see that these are secure and in good condition. Replace damaged panels if needed.
- Check connections and all fasteners to verify that they remain tight.
- To clean the assembled door, spray with water from a garden hose and brush with a soft brush.

DO NOT USE SOLVENTS OR CLEANERS ON THE DOOR PANELS. Mild dish soap is acceptable.

- Check the shelter contents to verify that nothing is touching the polycarbonate panels that could cause damage.
- For replacement or missing parts, call 1-800-245-9881 for assistance.

Notes

