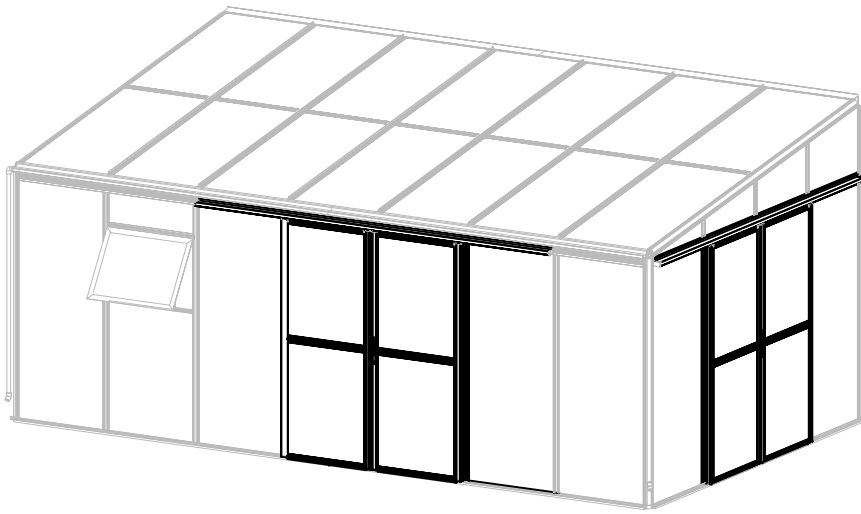



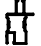














# Assembly Instructions






PLEASE READ CAREFULLY BEFORE ASSEMBLY




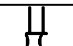
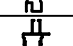
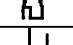






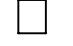
PART	NO	QTY
	L14D	1
	L32	2
	L33	2
	L34	2
	L35A	2
	L35B	1
	L36	1

PART	NO	QTY
	D150	2
	H21	1
	H22	2
	A103	4
	J189	
	S05	4
	M6X12	
	M03	4
	M6	
	S15	2
	M4X10	
	S20	4
	M5X10	
	S72A	8
	M4X12	

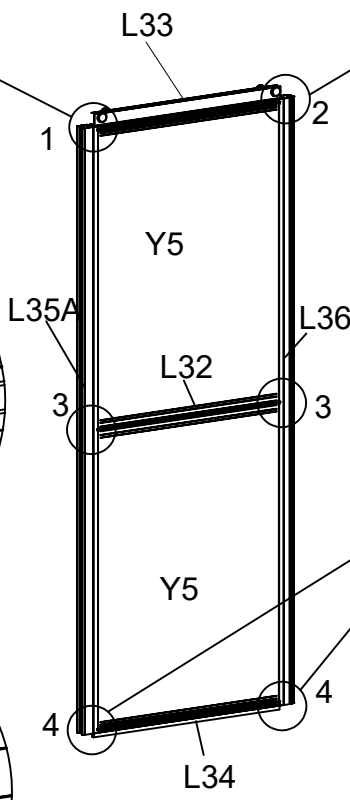
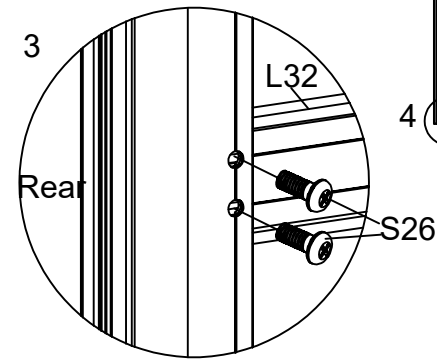
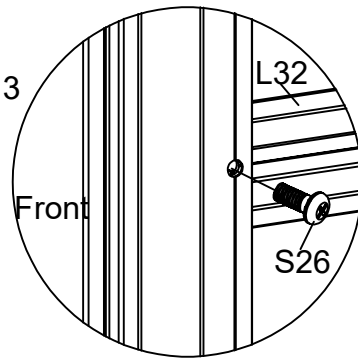
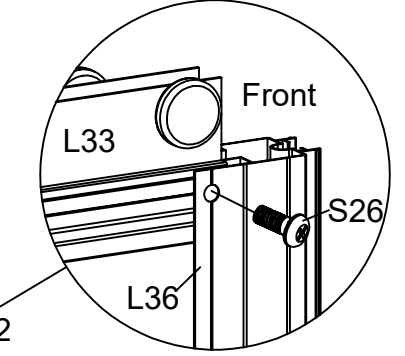
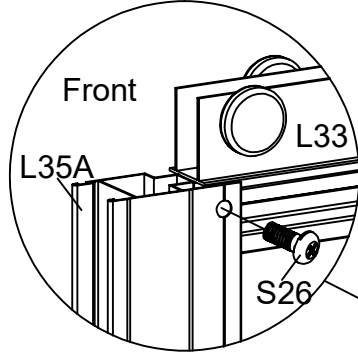
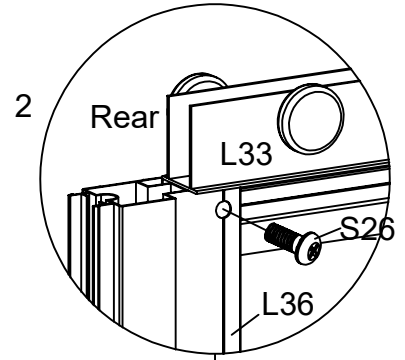
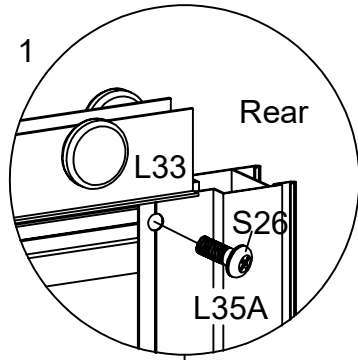
PART	NO	QTY
	Y5	4

PART	NO	QTY
	J107	5M
	J190	7.2M

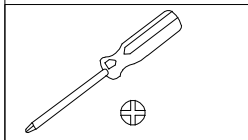
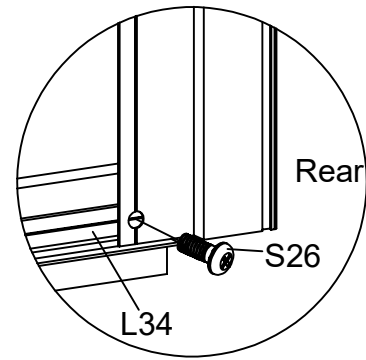
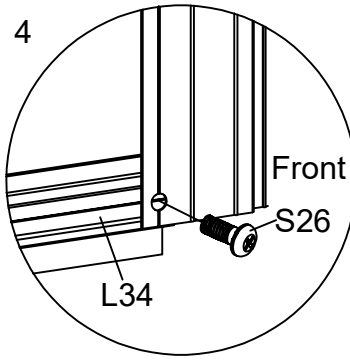
(Provided for glass only)

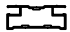


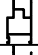





PART	NO	QTY
	L32	1
	L33	1
	L34	1
	L35A	1
	L36	1
	A103	2
	S26	14
	M5X12	
	S72A	
	S72A	4
	Y11	2

# Left Door

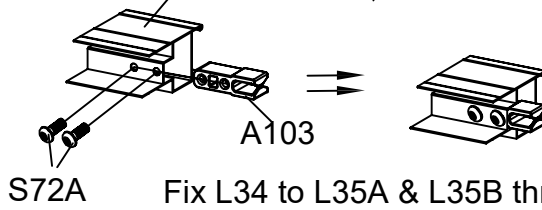
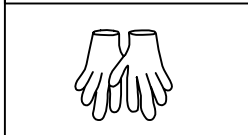
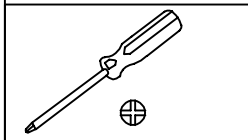
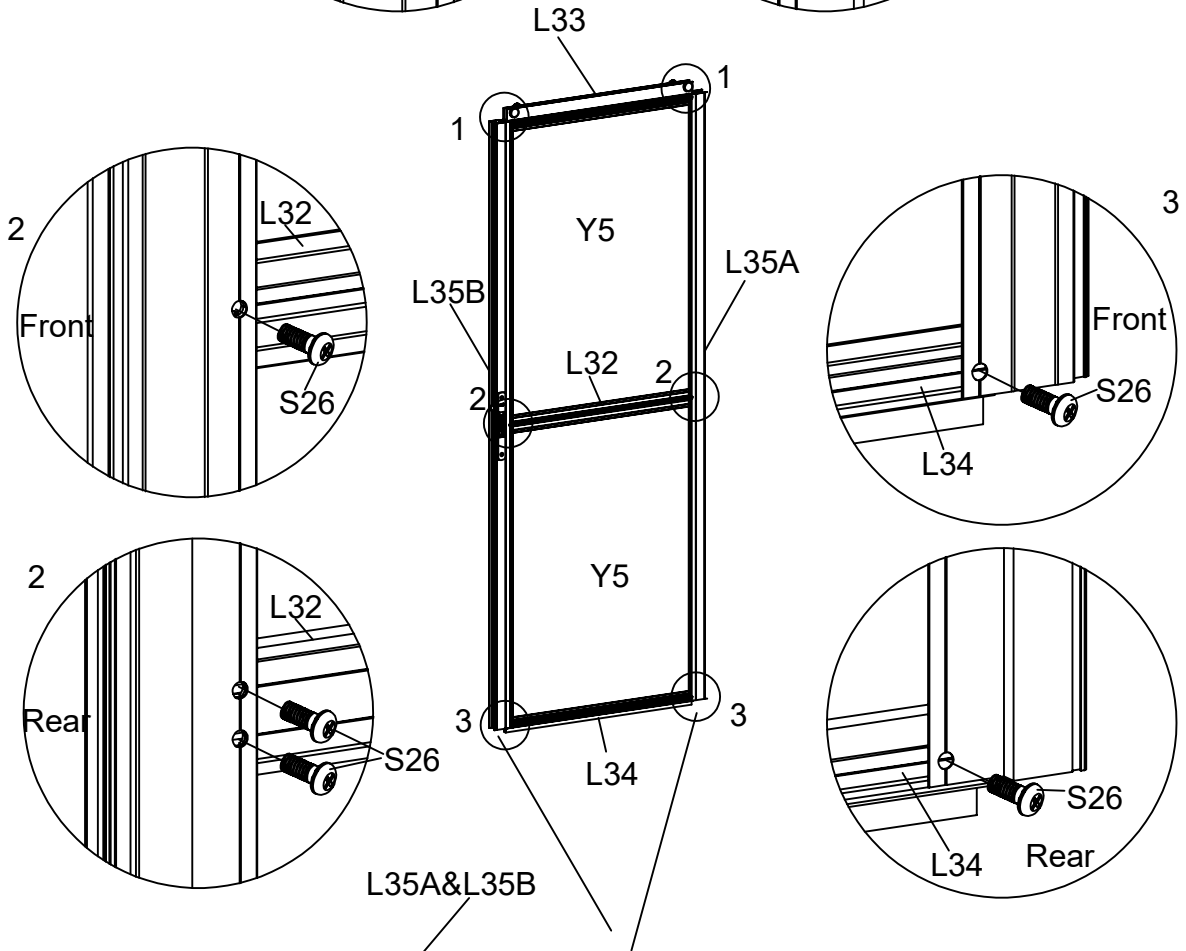
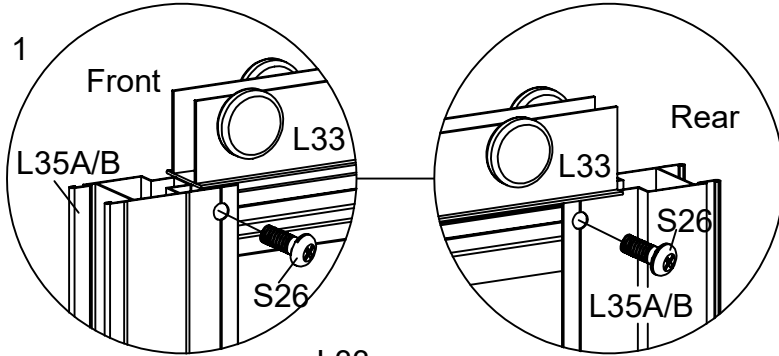






Please install A103 into L36&L35A before install L34.

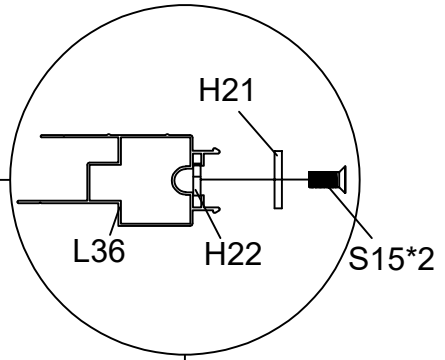
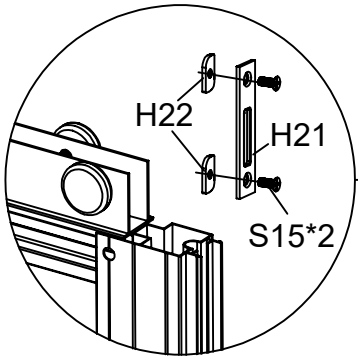
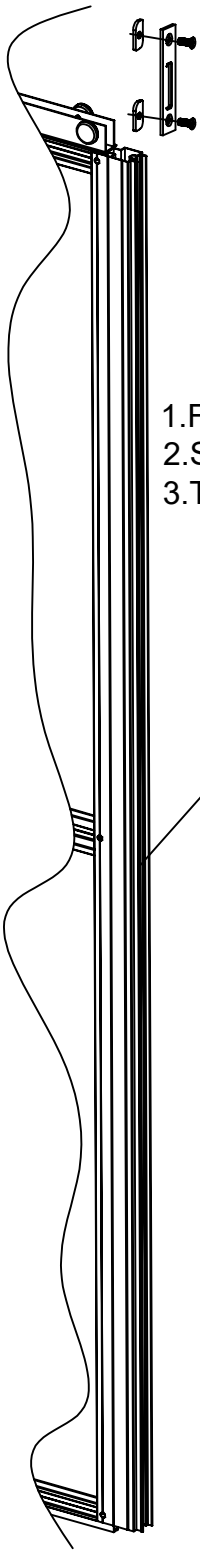


PART	NO	QTY
	L32	1
	L33	1
	L34	1
	L35A	1
	L35B	1
	A103	2
	S26 M5X12	14
	S72A M4X12	4
	Y5	2

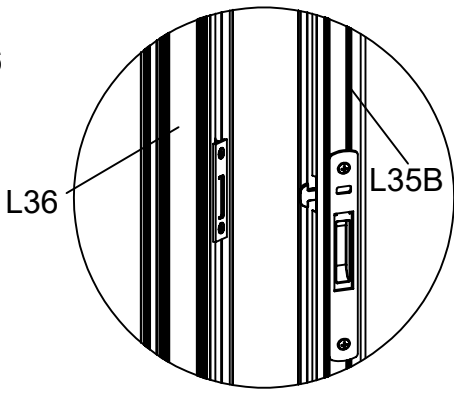
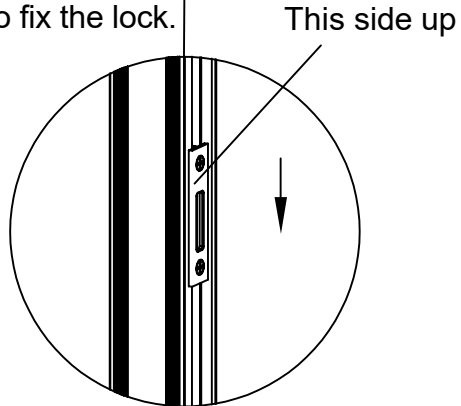
# Right Door

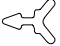
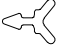


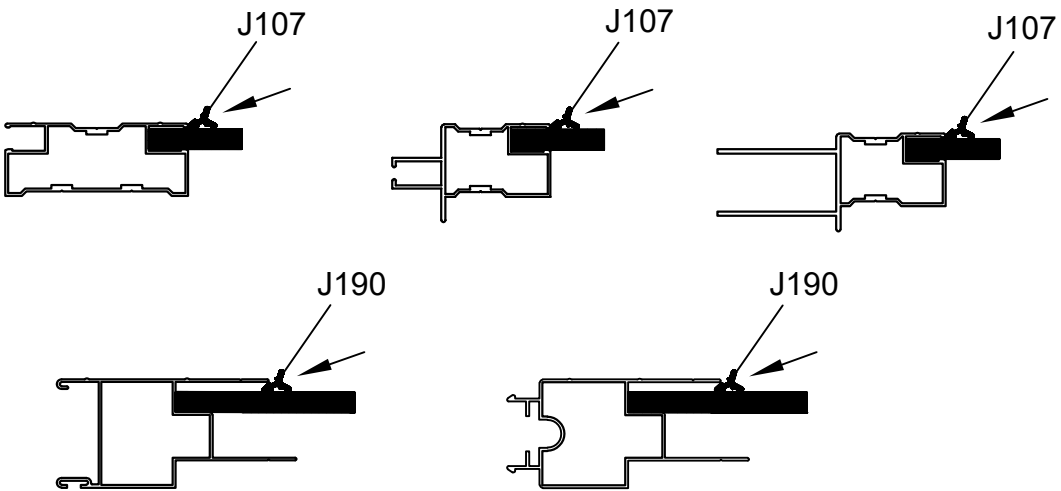
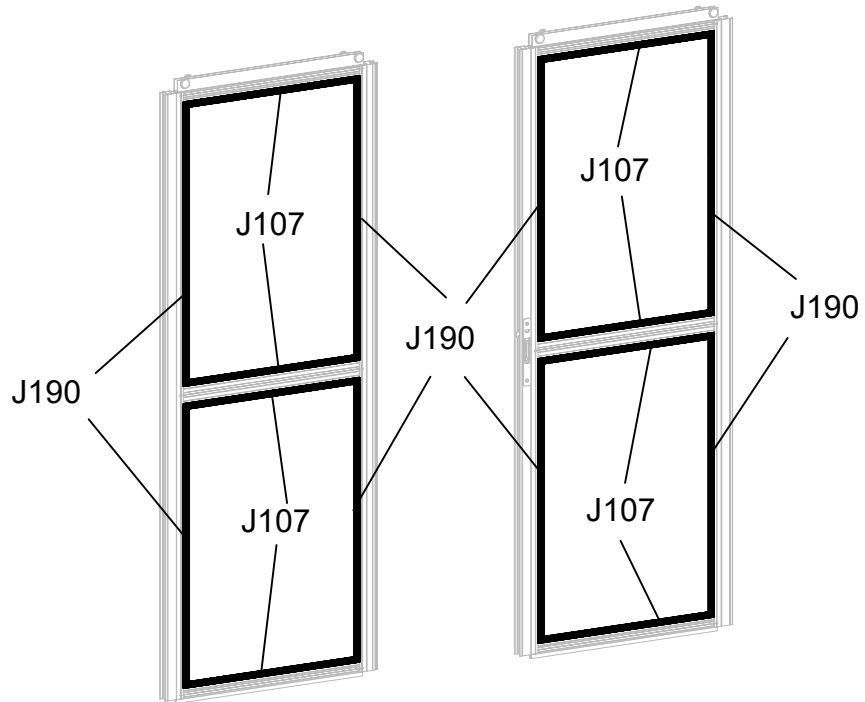
PART	NO	QTY
	H21	1
	H22	2
	S15	2
	M4X10	
	S26	4
	M5X12	



1. Fix H21 & H22 using S15, but don't tighten.
2. Slide H22 into the channel of L36, adjust H21 to fix the lock.
3. Tighten S15.

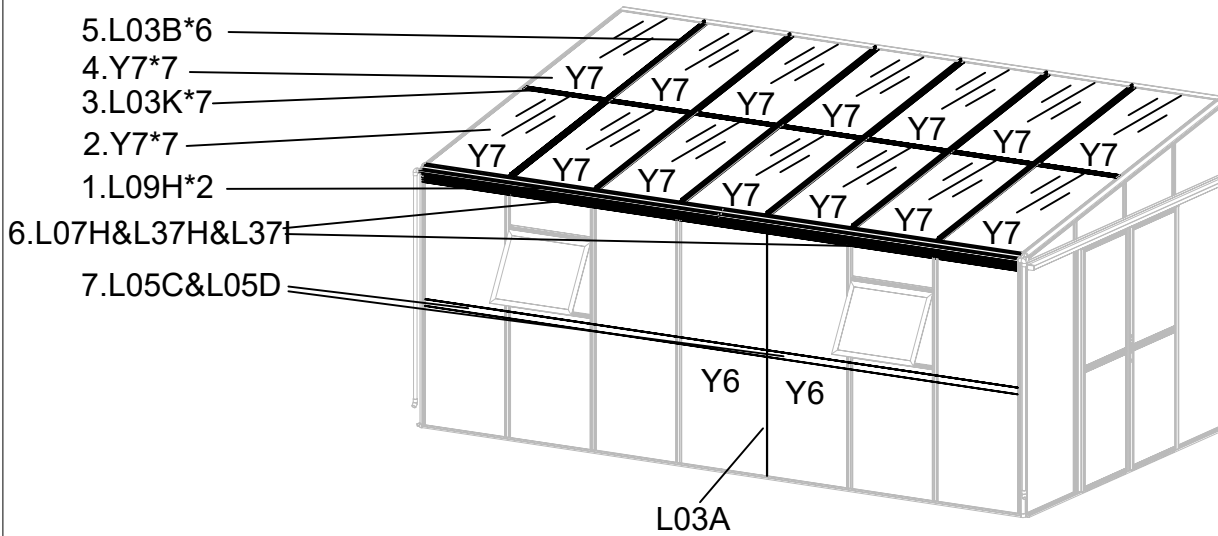


PART	NO	QTY
	J107	5M
	J190	7.2M

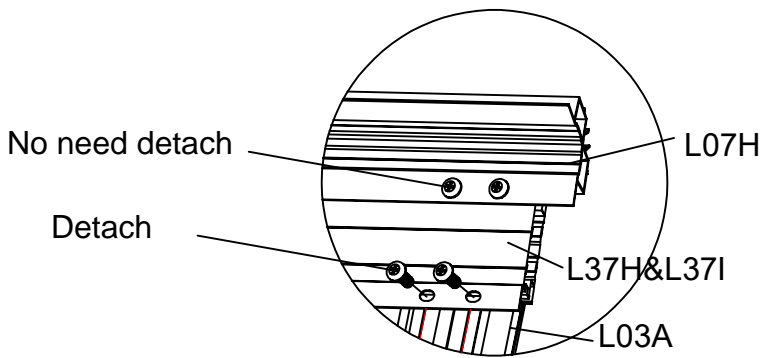


**Noted:** If glass is chosen, please seal it with rubber(J107) provided.  
 Rubber is not provided if you choose polycarbonate sheet as glazing panel.

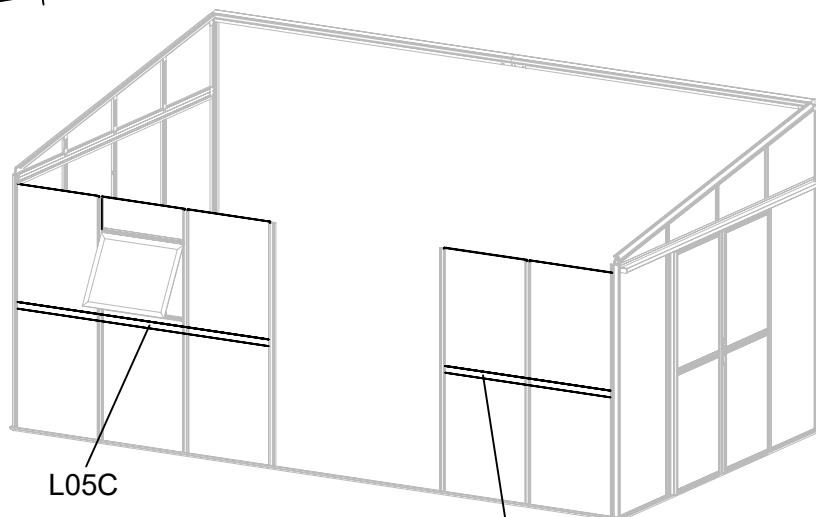
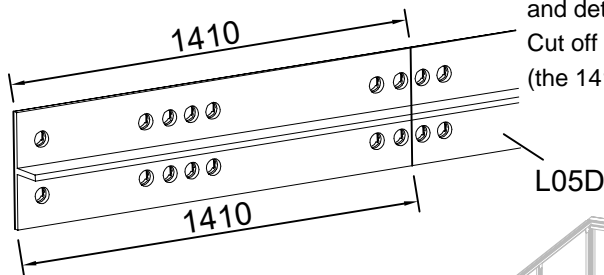
Firstly detach the glass/pc Y6 where the sliding door is installed,  
 If the window is within the range of the sliding door, it also needs to be detached.



Detach the screws that fix L37H&I and L03A (but do not detach the screws that fix L07H and L37H&I)



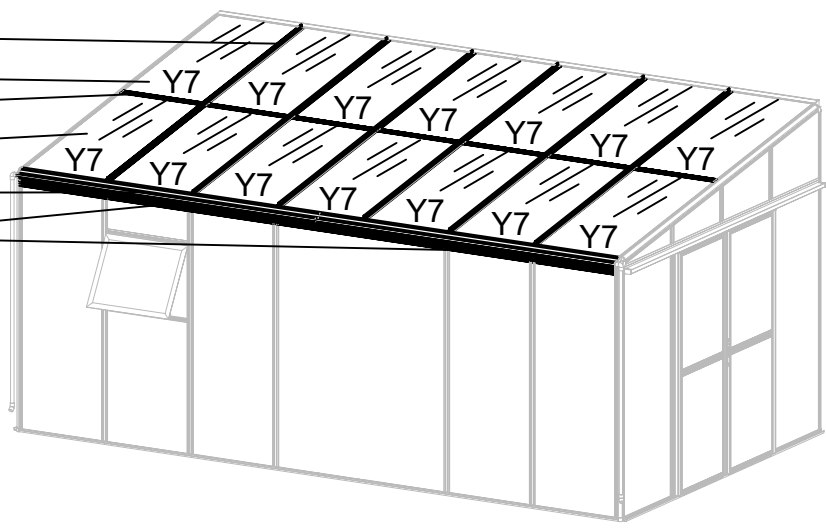
If you want to install the sliding door in the front, you need to detach the top glass/pc and aluminum profiles following the steps 1 to 7 above, and detach Y6 and L03A (Window, Y8, Y9 replaced with Y6).  
 Cut off 1410mm from one end of the detached L05D  
 (the 1410mm-cut off aluminum profile is not used)





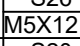

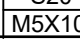
Assembly back the L05C and the cut-shortened L05D

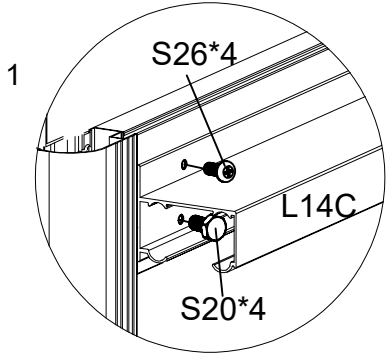
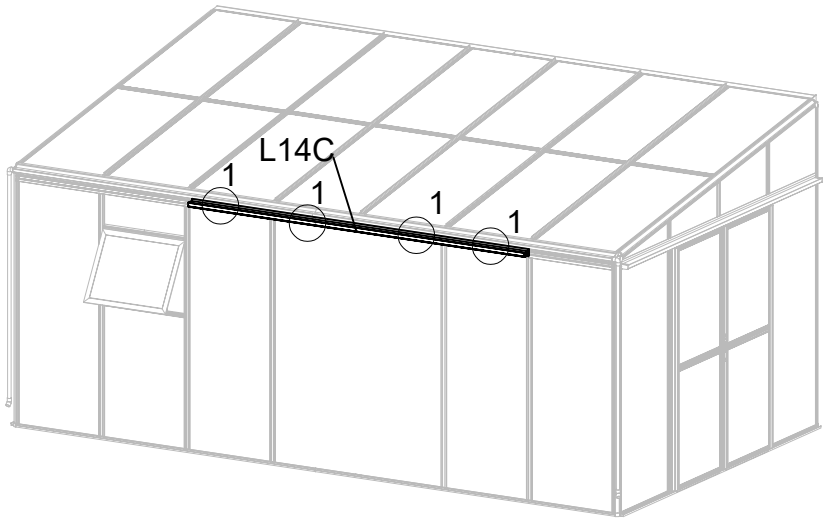
The cut-shortened L05D




- 2.L03B\*6
- 3.Y7\*7
- 4.L03K\*7
- 5.Y7\*7
- 6.L09H\*2
- 1.L37H&L37I

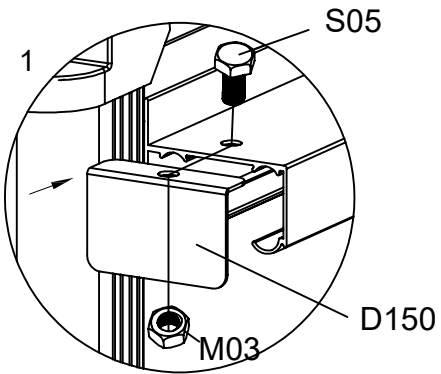
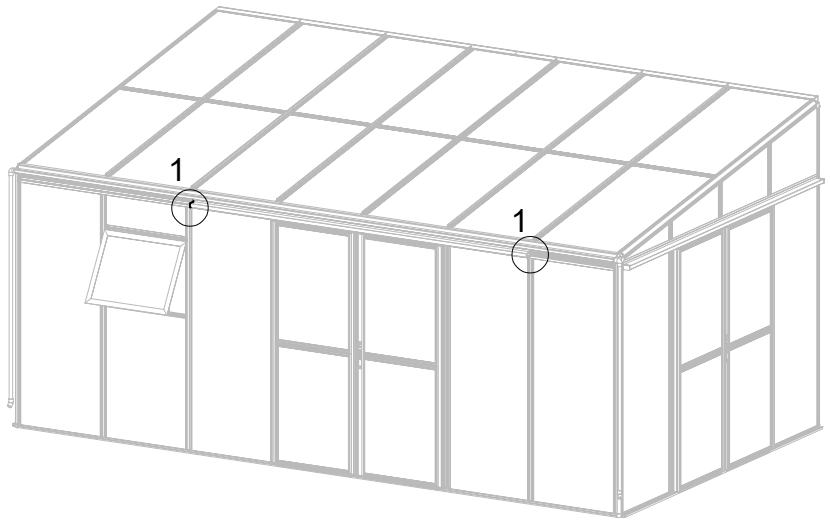
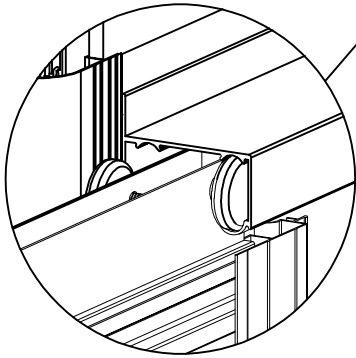
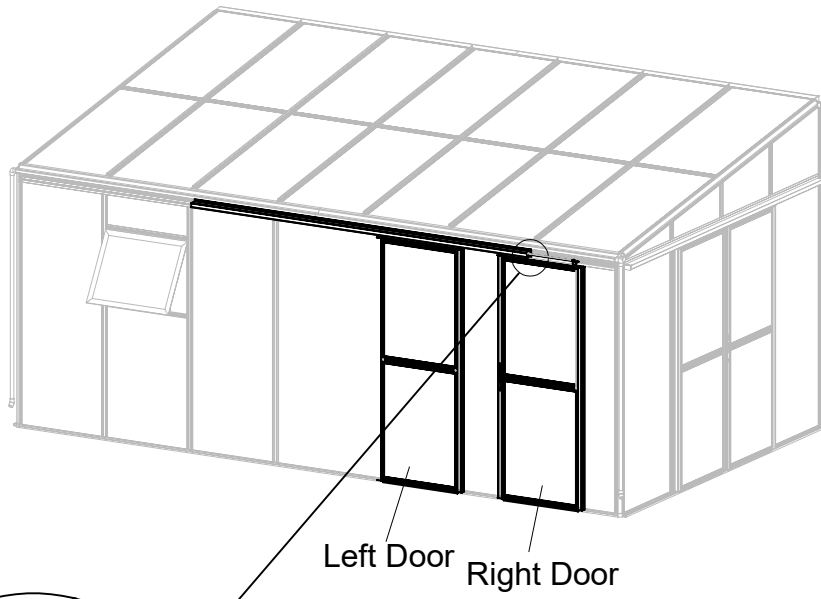


After detach 2pcs Y6 and L03A,  
then assembly back the detached aluminum profiles and glass/pc following the steps 1 to 6 above.

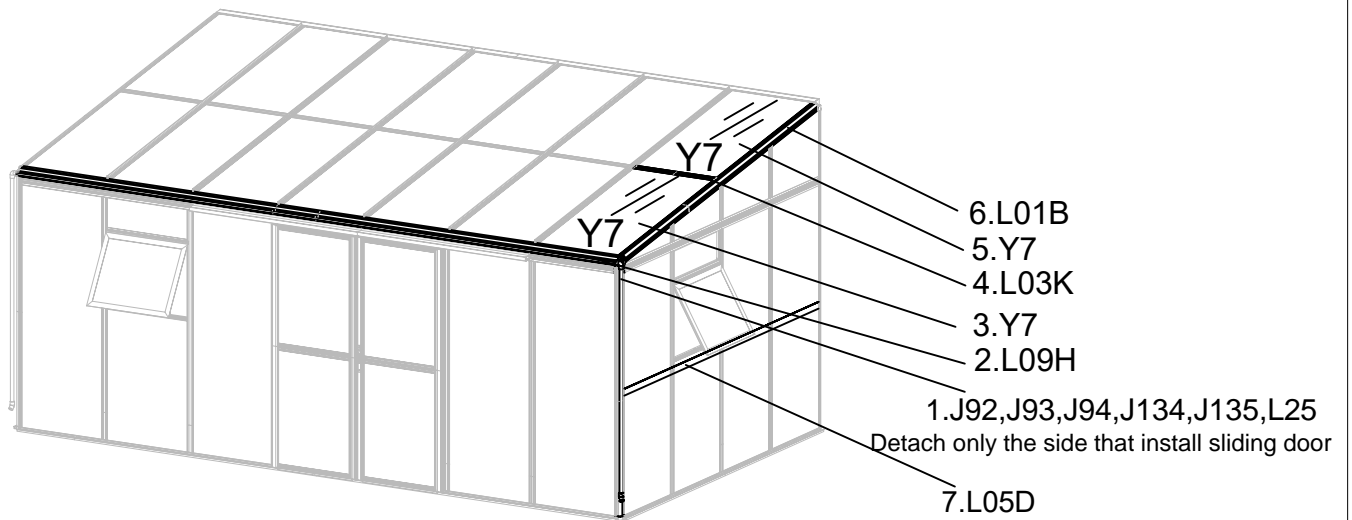
PART	NO	QTY
	L14C	1
	S26	4
	M5X12	
	S20	4
	M5X10	



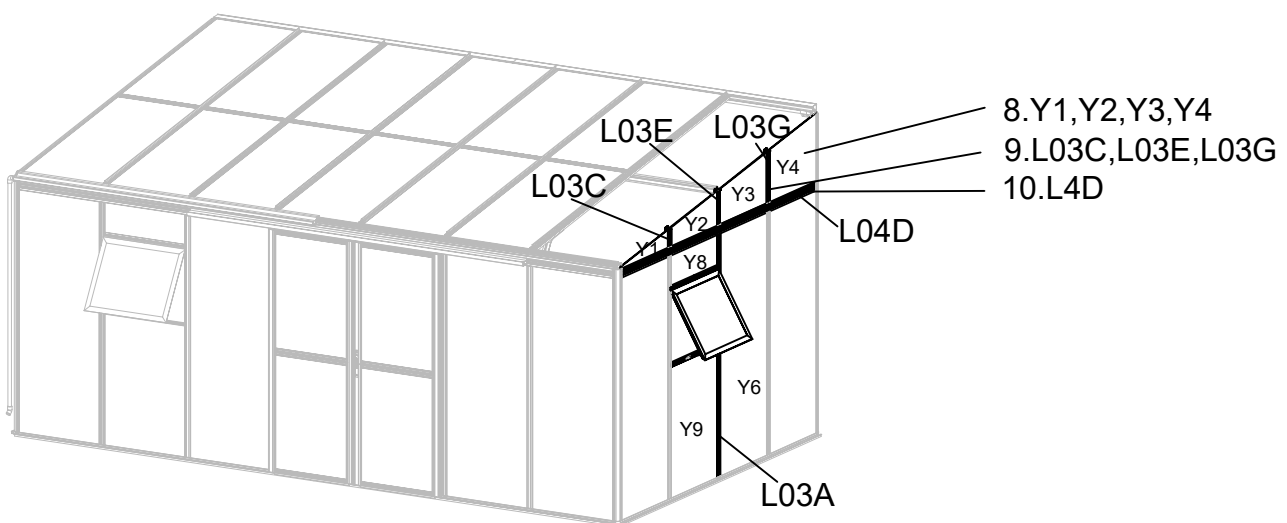
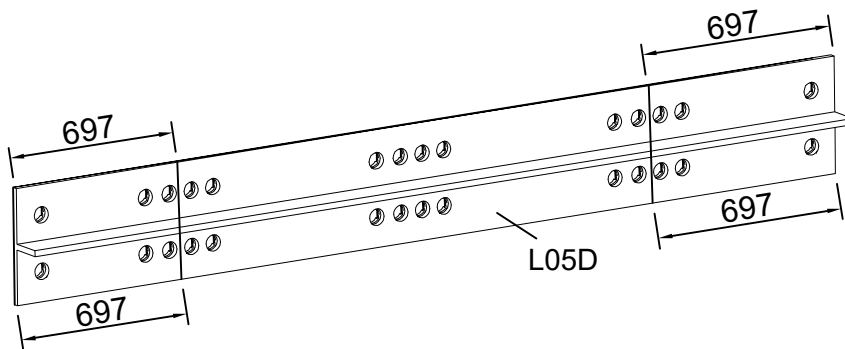
PART	NO	QTY
	D150	2
	S05	2
	M6X12	
	M03	2
	M6	



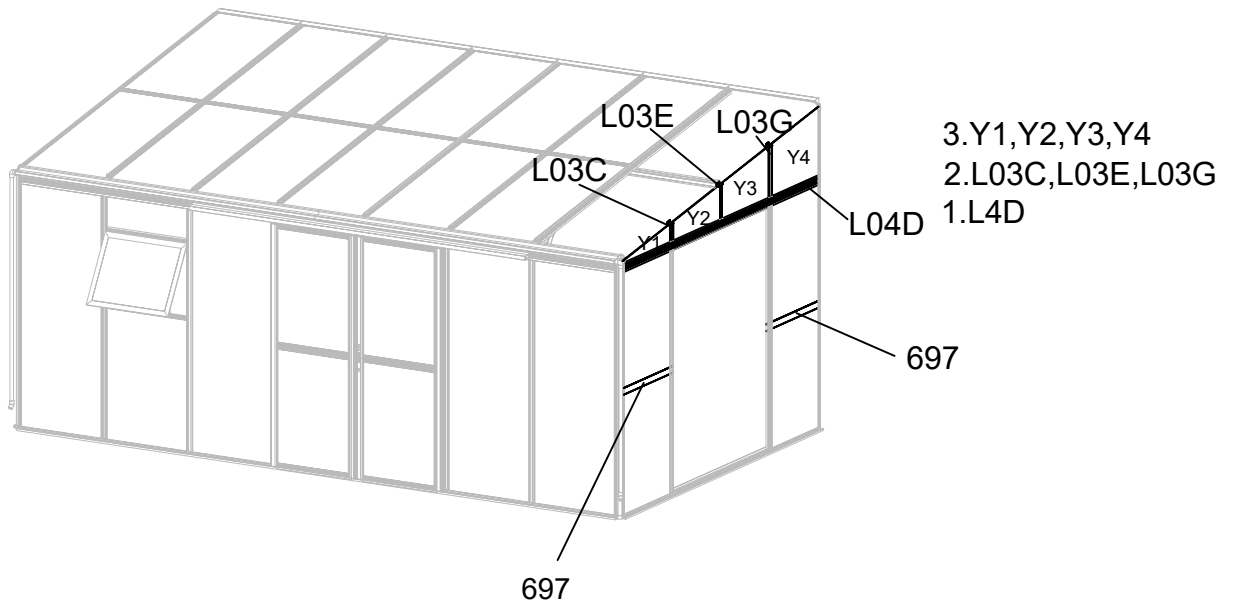
Firstly detach the glass/pc Y6 where the sliding door is installed,  
 If the window is within the range of the sliding door, it also needs to be detached.



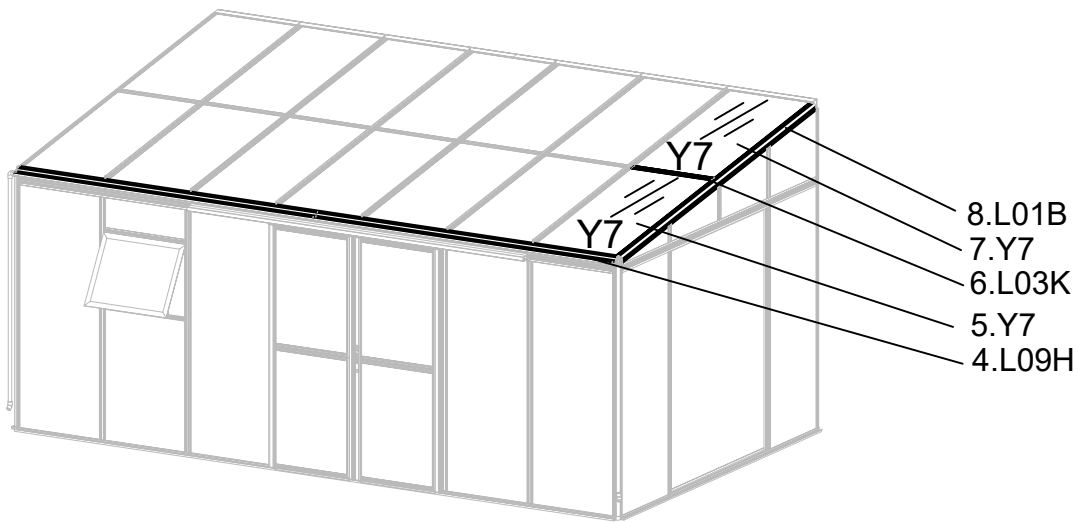
If you want to install the sliding door in the front,  
 you need to detach the top glass/pc and aluminum profiles following the steps 1 to 7 above,  
 Cut off 697mm from both ends of the detached L05D for using  
 (these 2pcs 697mm aluminum profiles are for using, but the middle part is not used)






Detach the glass/pc and aluminum profiles following the steps 8~10 above,  
 detach Y6 and the window, Y8, Y9 and the L03A in the middle

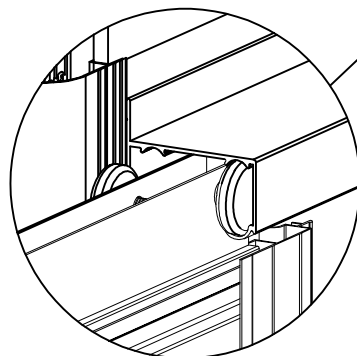
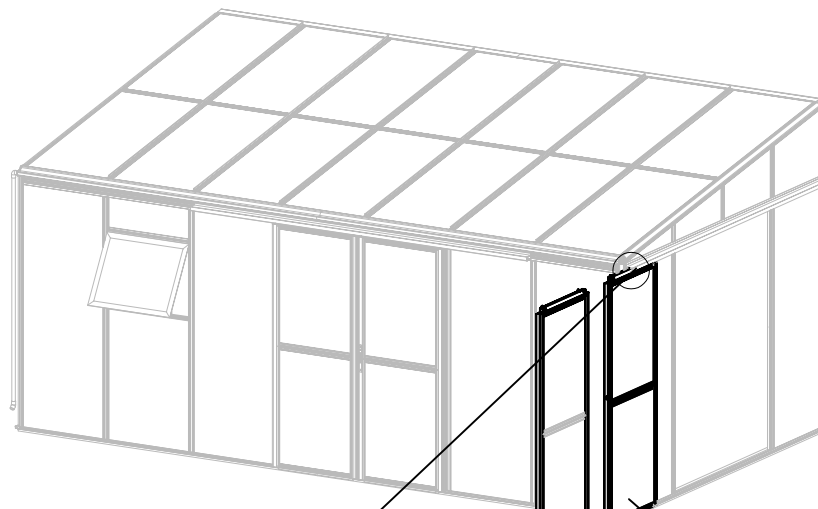
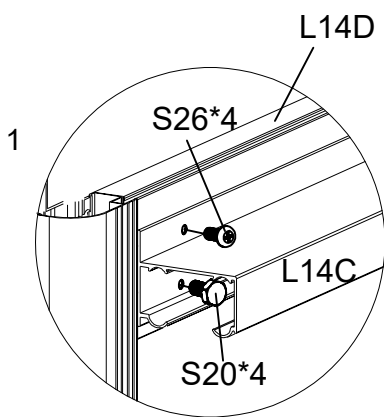
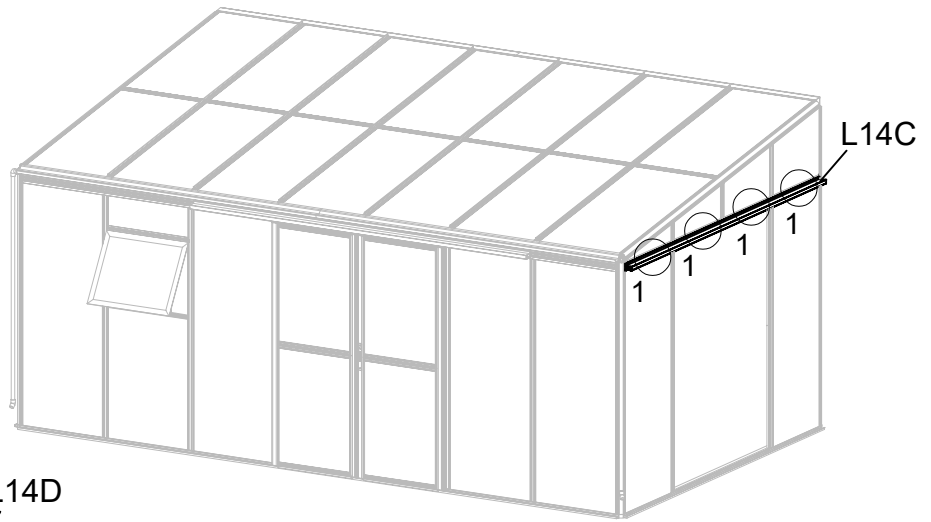






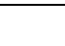
Assembly back the 2pcs 697mm aluminum profiles that cut from both ends of L05D, and then assembly back the detached aluminum profiles and glass/pc following the steps 1~3 above

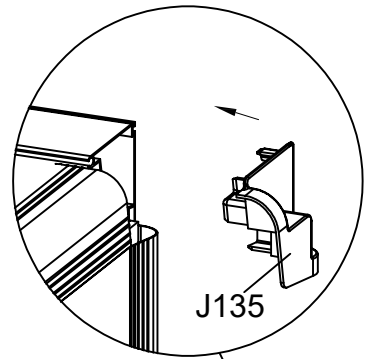
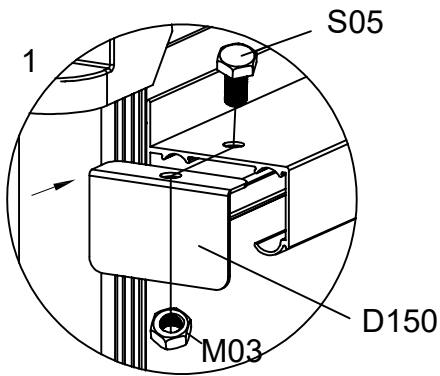
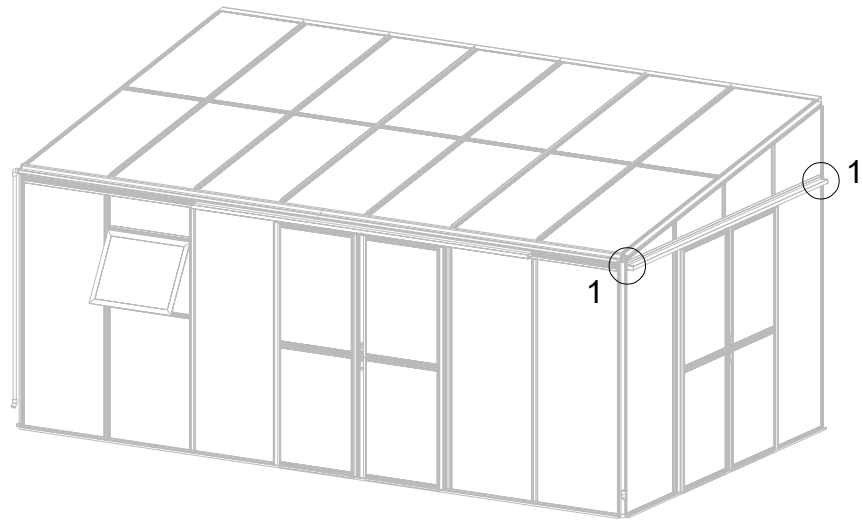


Assembly back the detached aluminum profiles and glass/pc following the steps 4~8 above

PART	NO	QTY
	L14C	1
	S26	4
	M5X12	
	S20	4
	M5X10	



PART	NO	QTY
	D150	2
	S05	2
	M6X12	
	M03	2
	M6	



Assembly back the plastic cover and the water downpipe

